

CONCEPT FUTURE



CONCEPT L402

Liebe Captain Future Fans,

Ich wünsche Euch viel Spaß beim Bauen der Comet.

Diese Anleitung ist kostenlos. Wenn Ihr Euch trotzdem erkenntlich zeigen wollt, so freut sich das **Kinderhospiz in München** über jeden Betrag.

Einfach online per paypal **spenden** unter:

www.kinderhospiz-muenchen.de/spenden/



Kopieren oder Weiterverbreitung, auch auszugsweise bedarf der schriftlichen Genehmigung des Autors.

Eine kommerzielle Nutzung ist ausdrücklich untersagt!

Dear Captain Future Fans,

I wish you a lot of fun building the Comet.

This building instruction is free.

However, if you feel like donating something, the **child hospice in Munich** will be happy to receive your appreciation.

Donate easily online using paypal at:

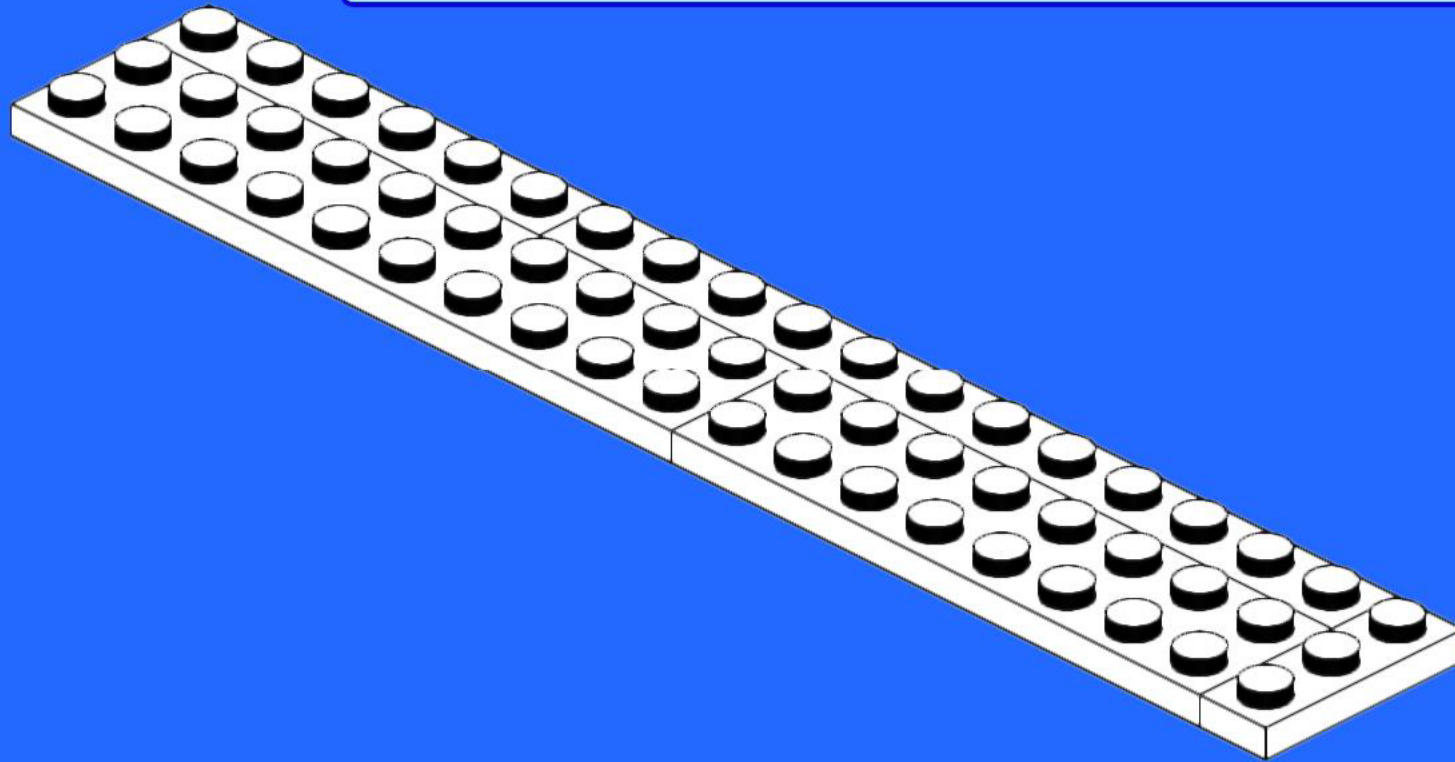
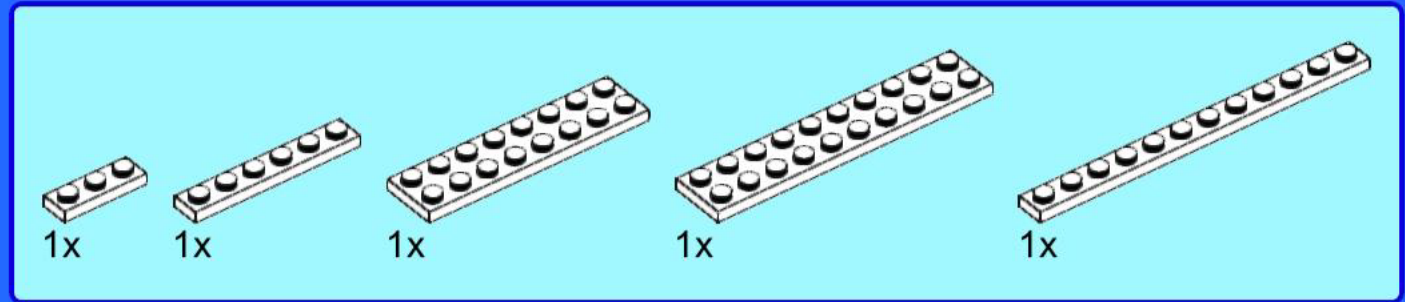
www.kinderhospiz-muenchen.de/spenden/



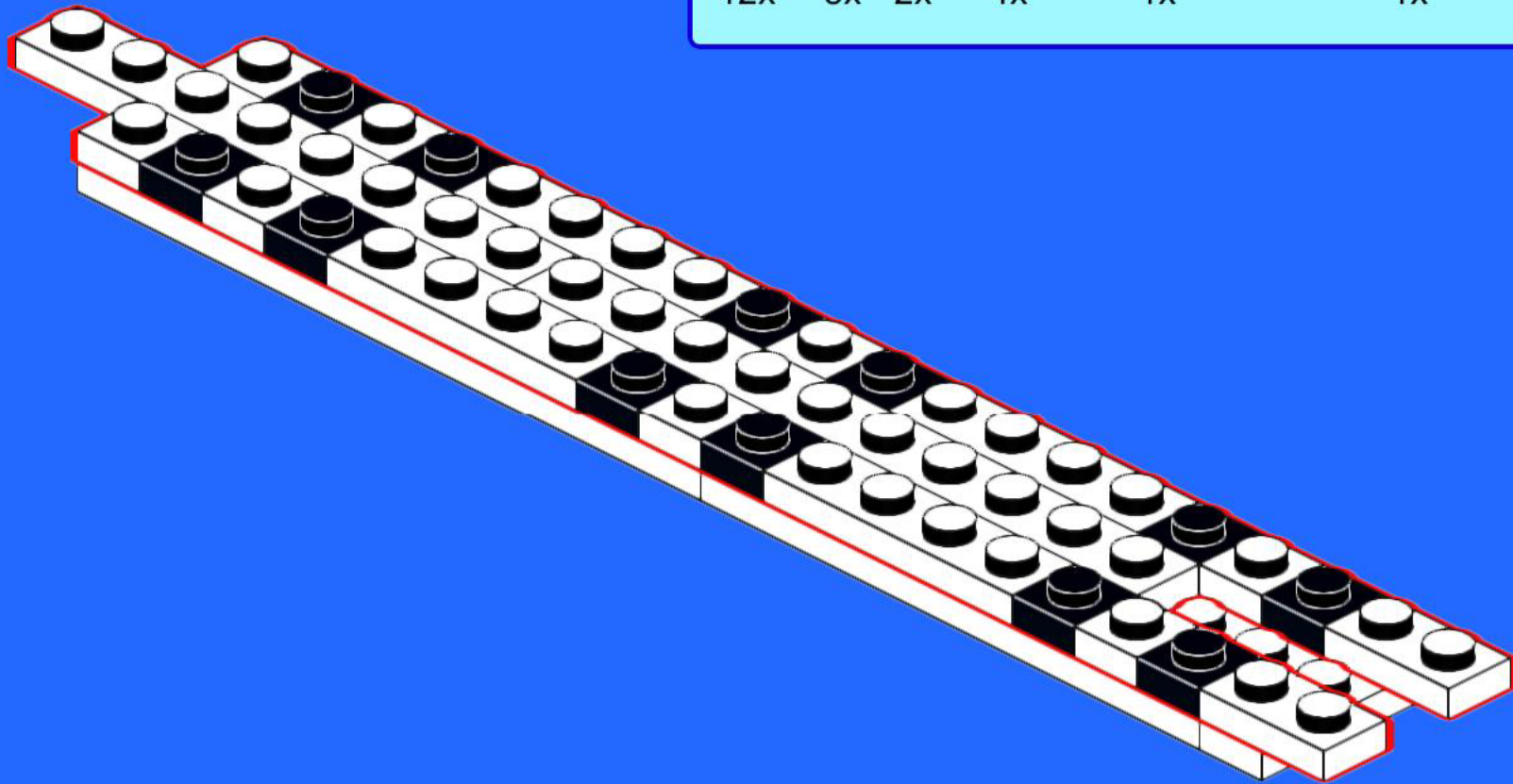
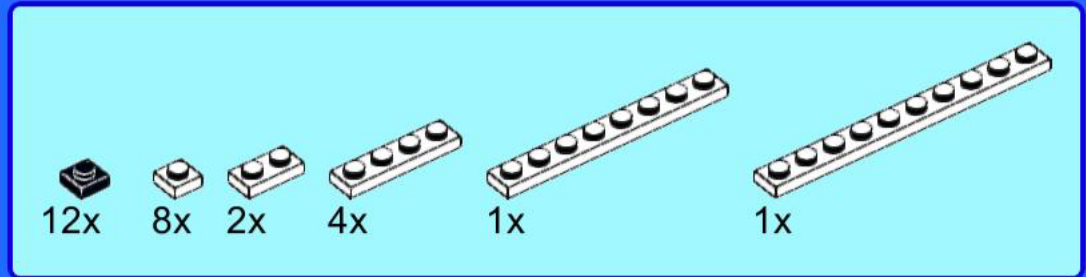
Copying and sharing of this building instruction complete or in extracts requires permission of author in written form.

Commercial usage is strictly prohibited!

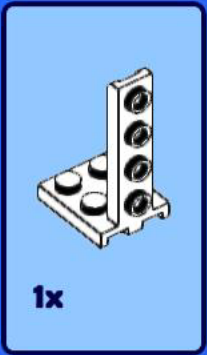
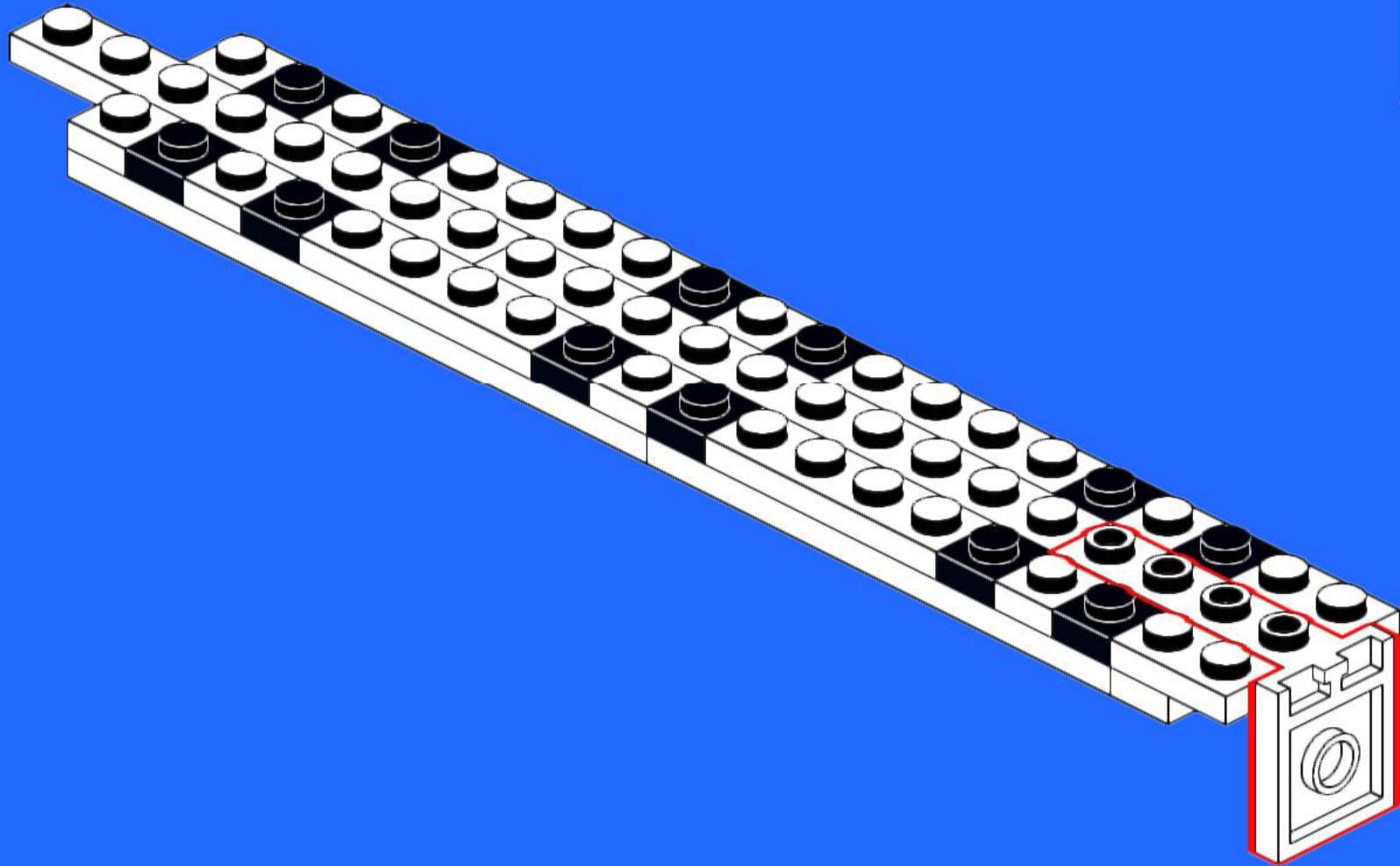
1



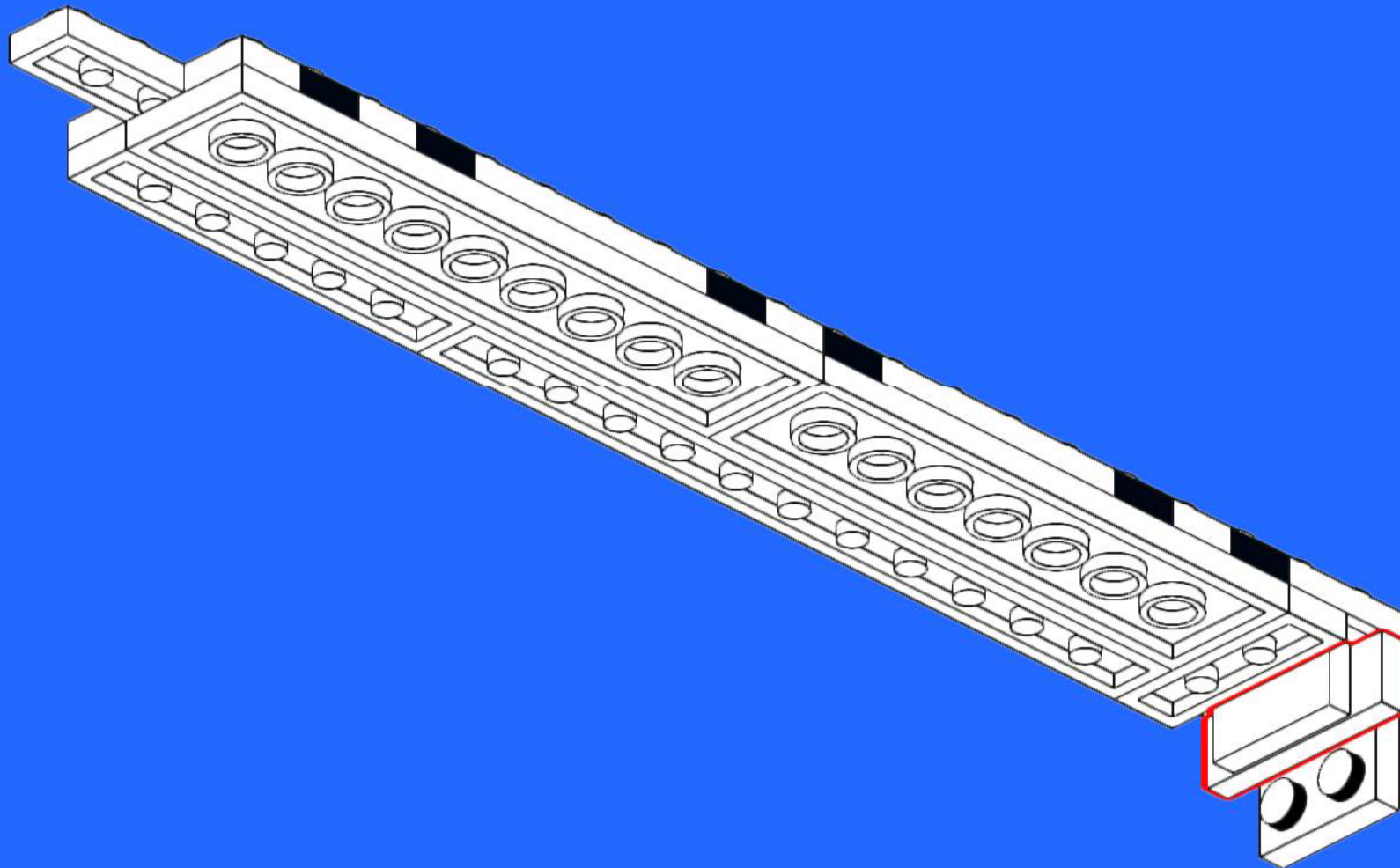
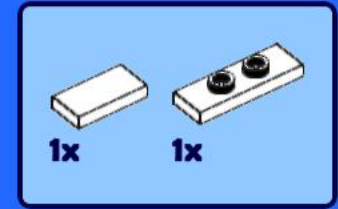
2



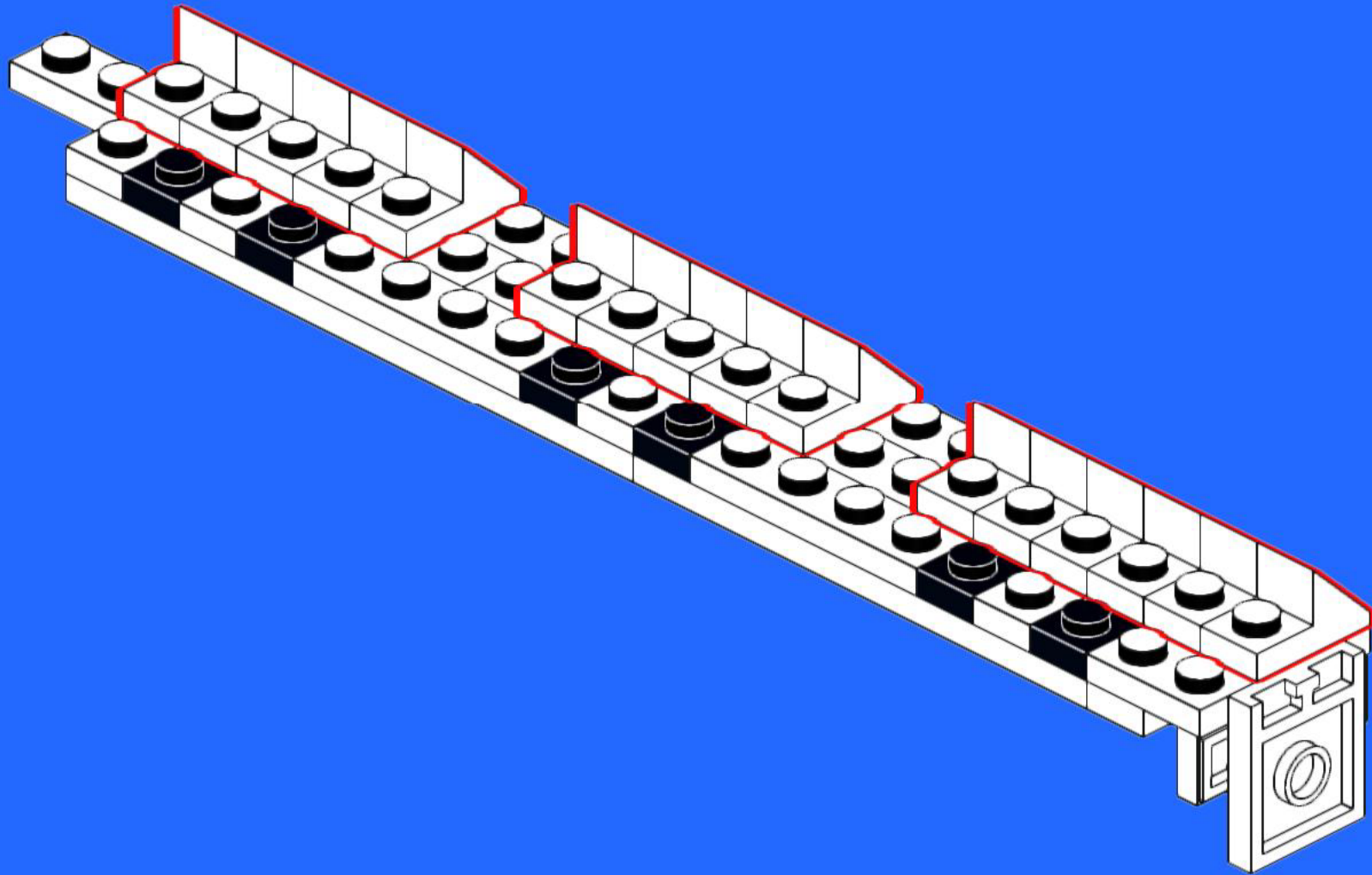
3



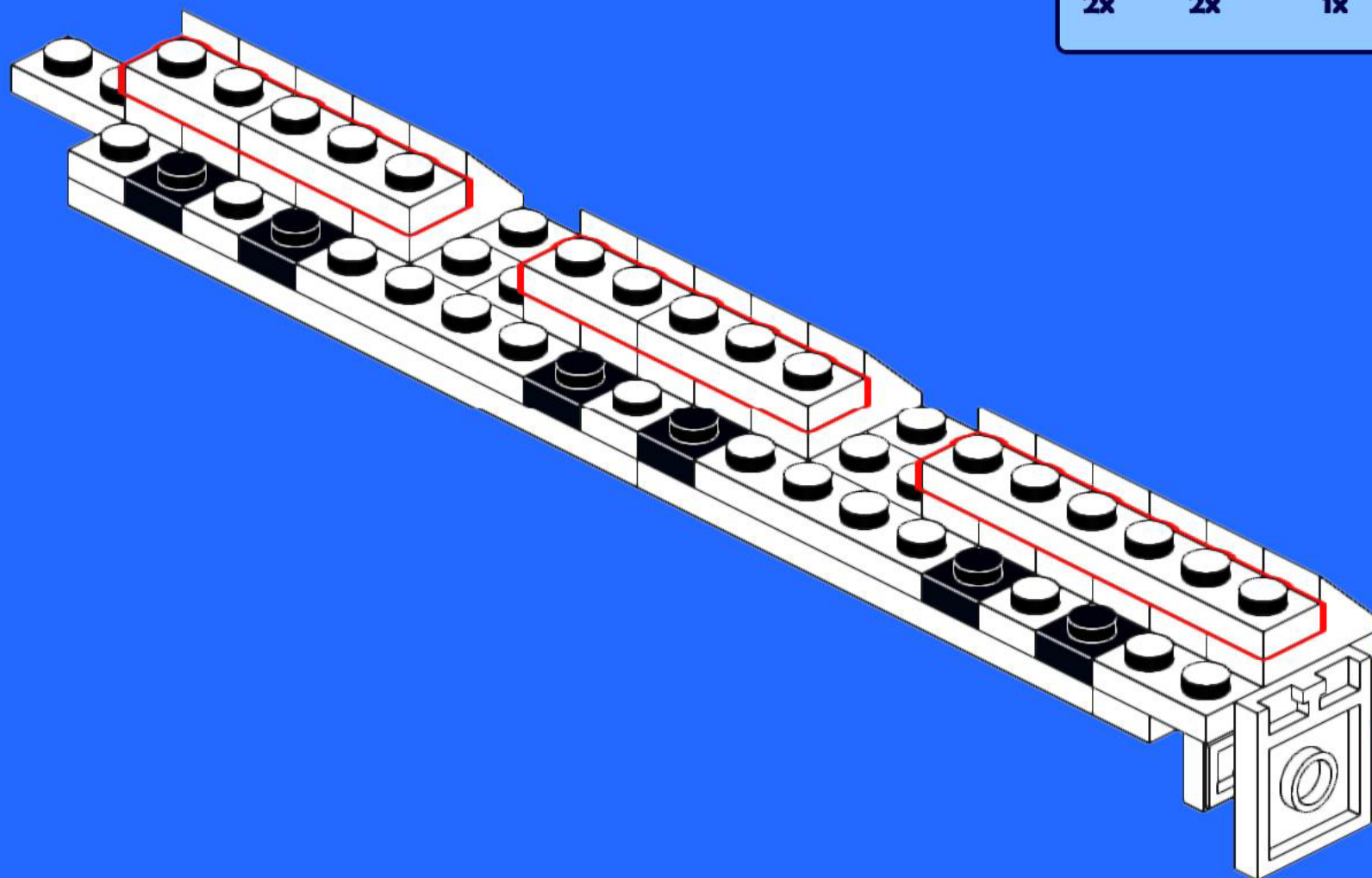
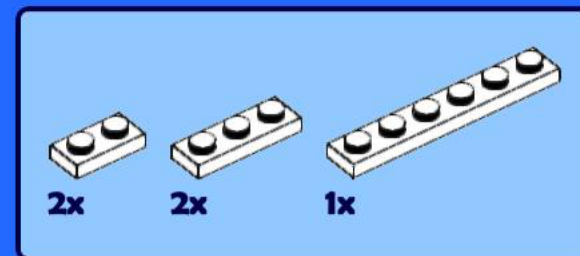
4



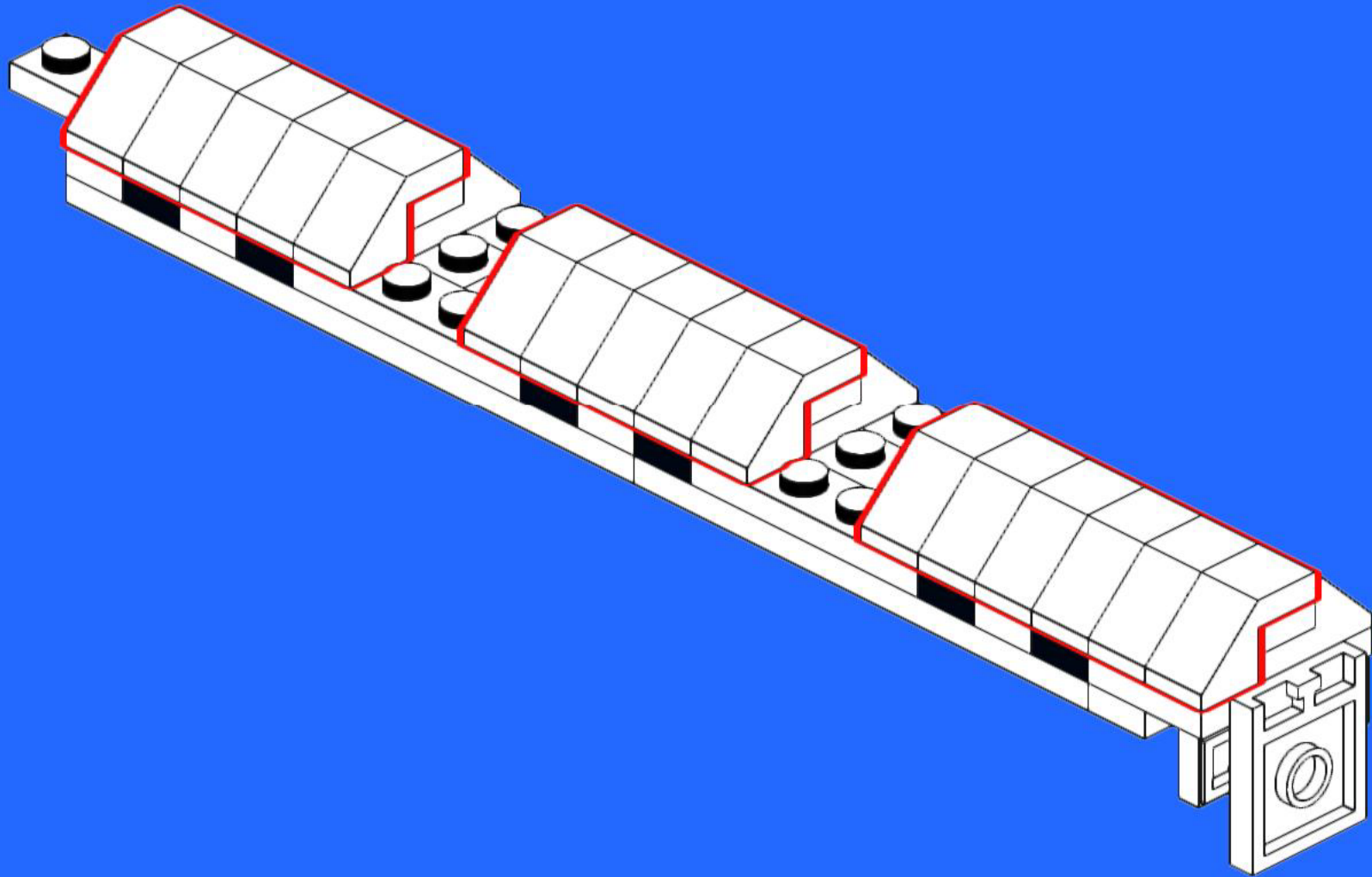
5



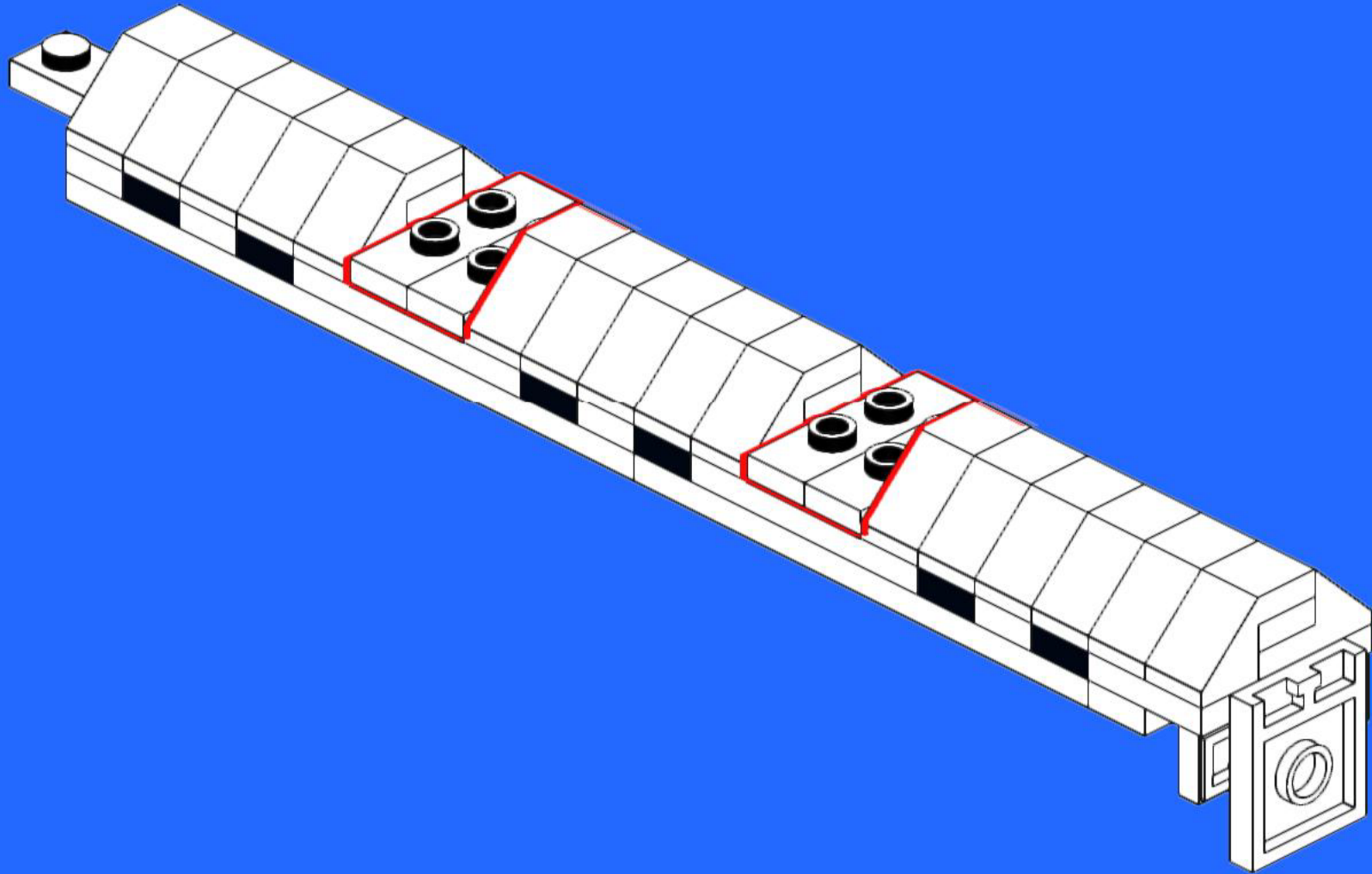
6



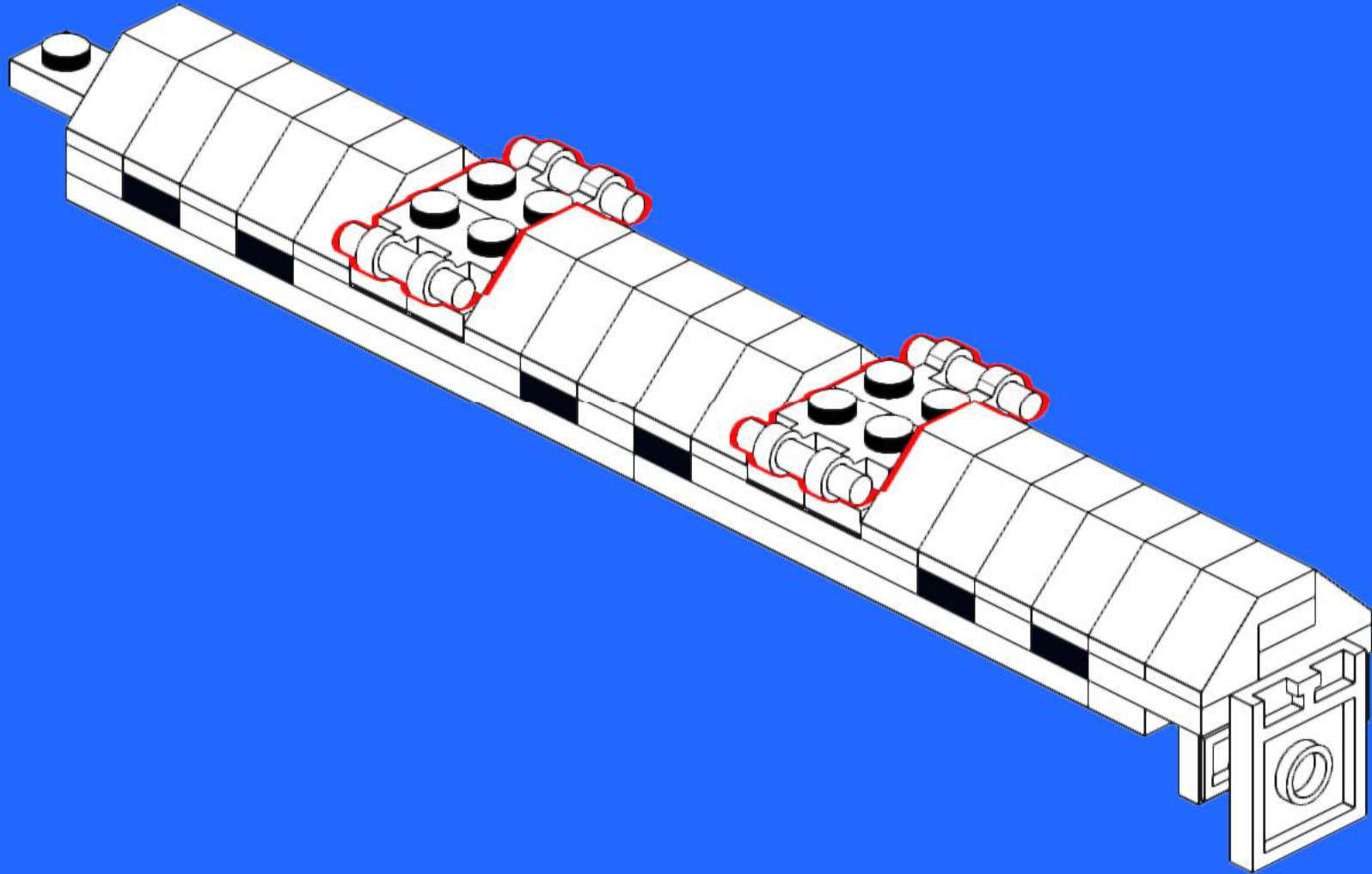
7



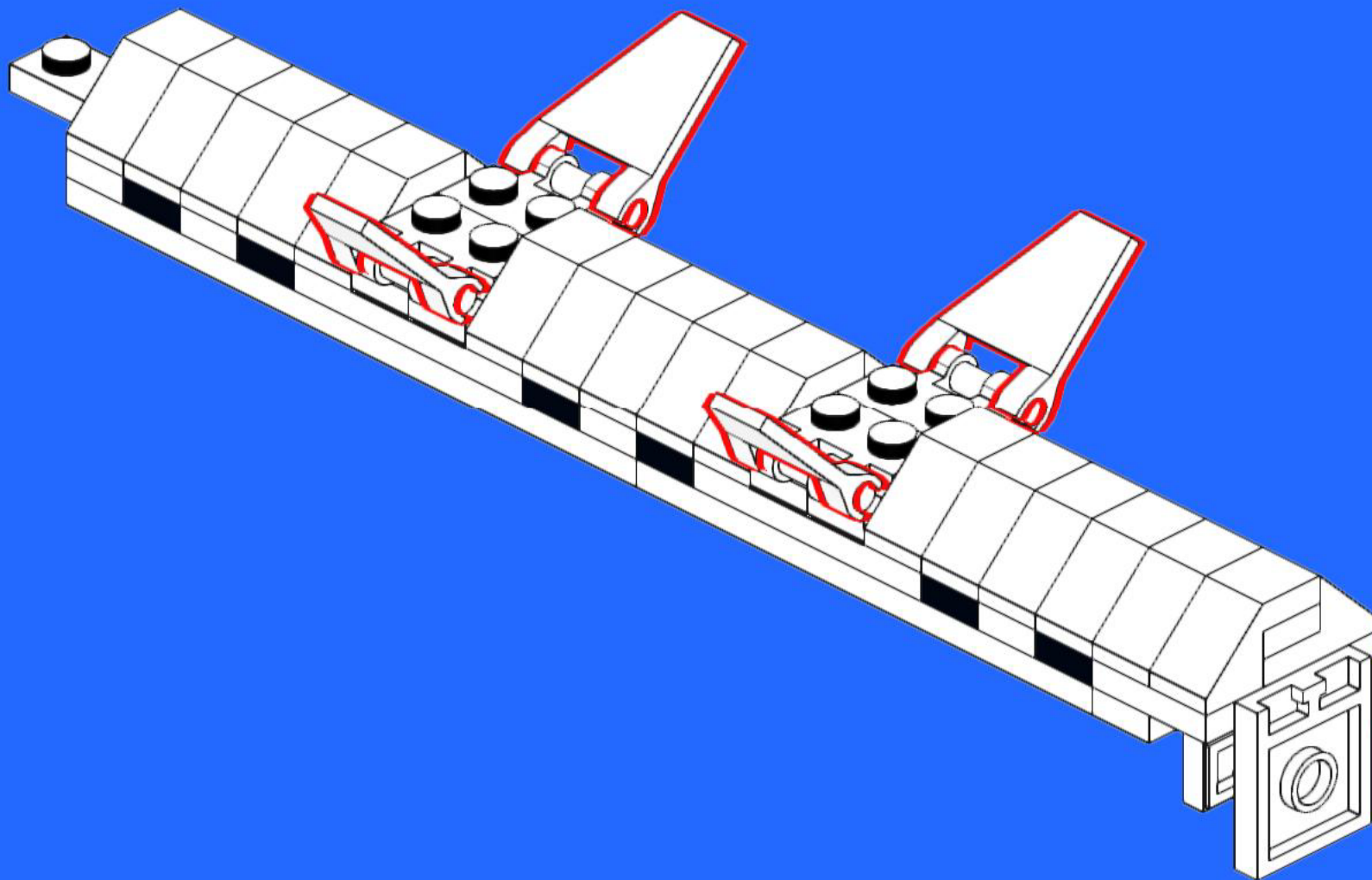
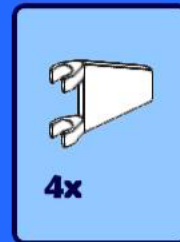
8



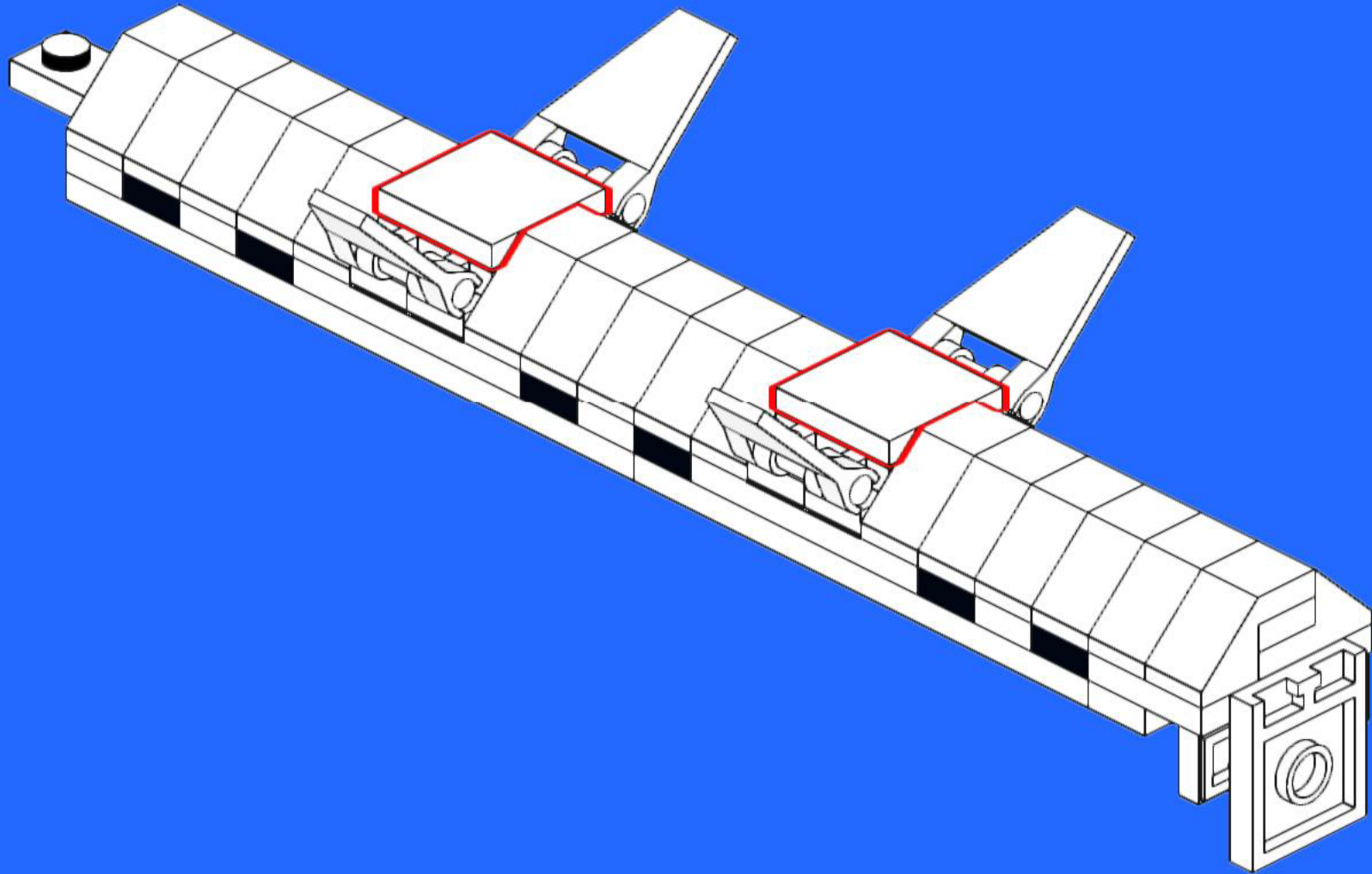
9



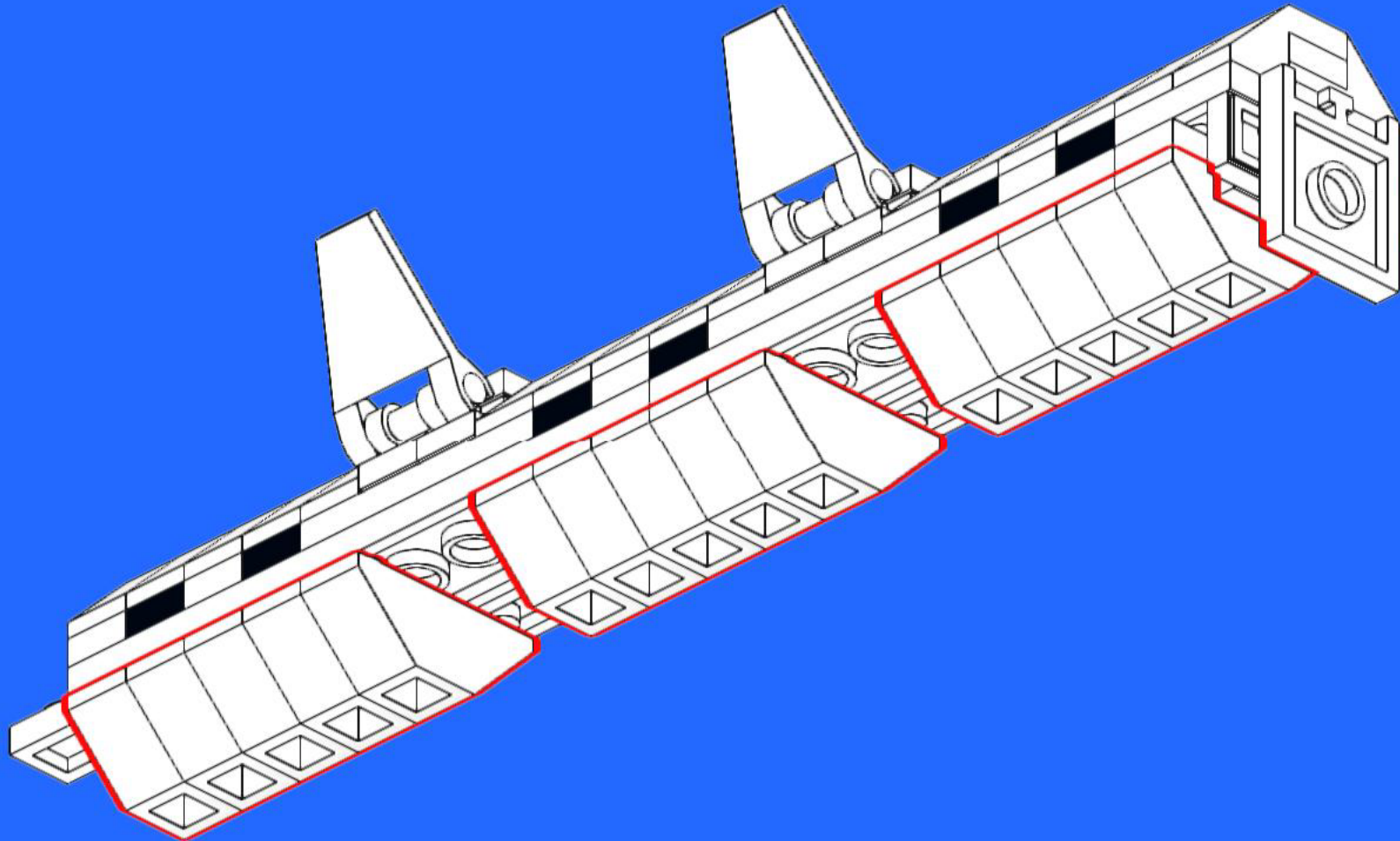
10



11

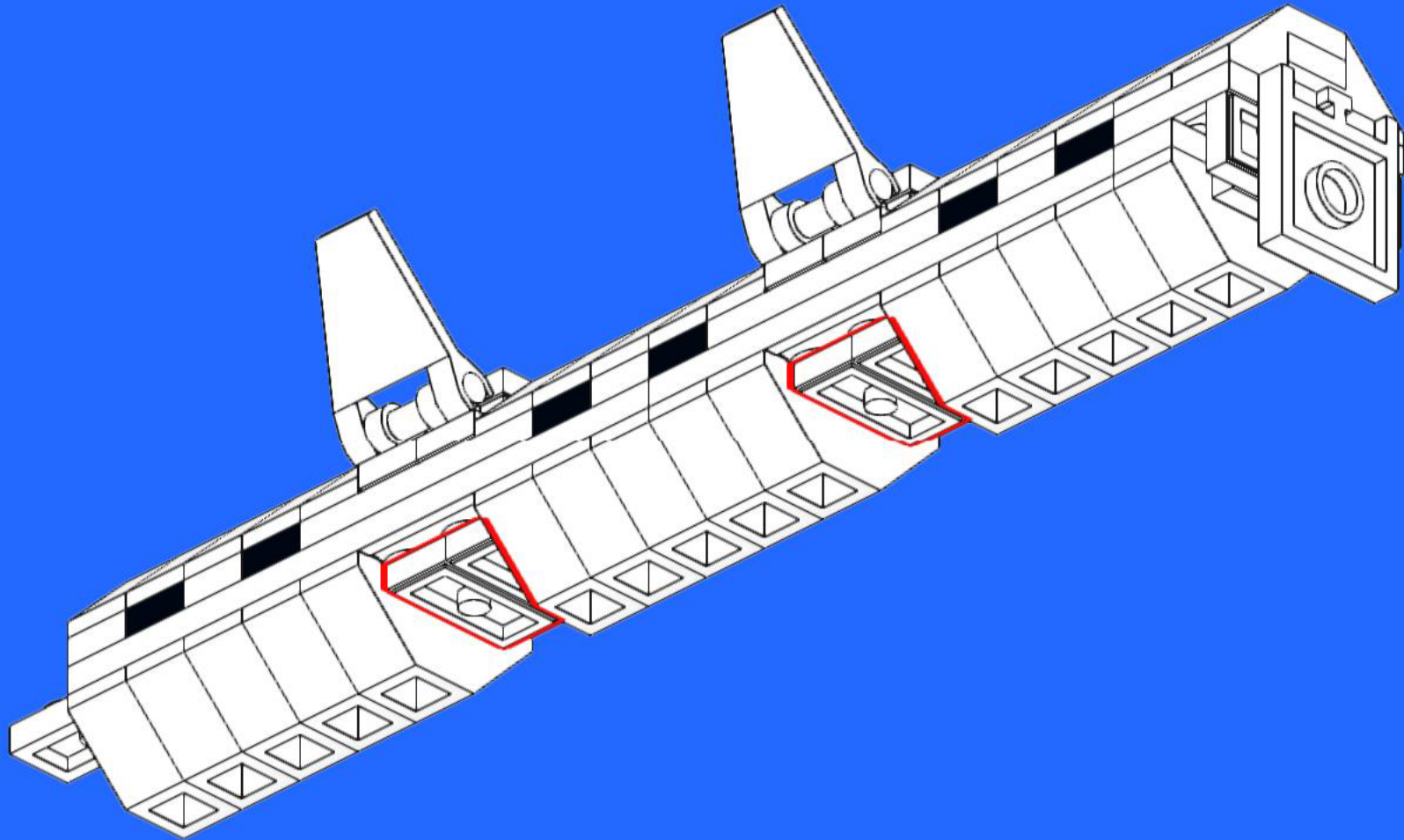


12



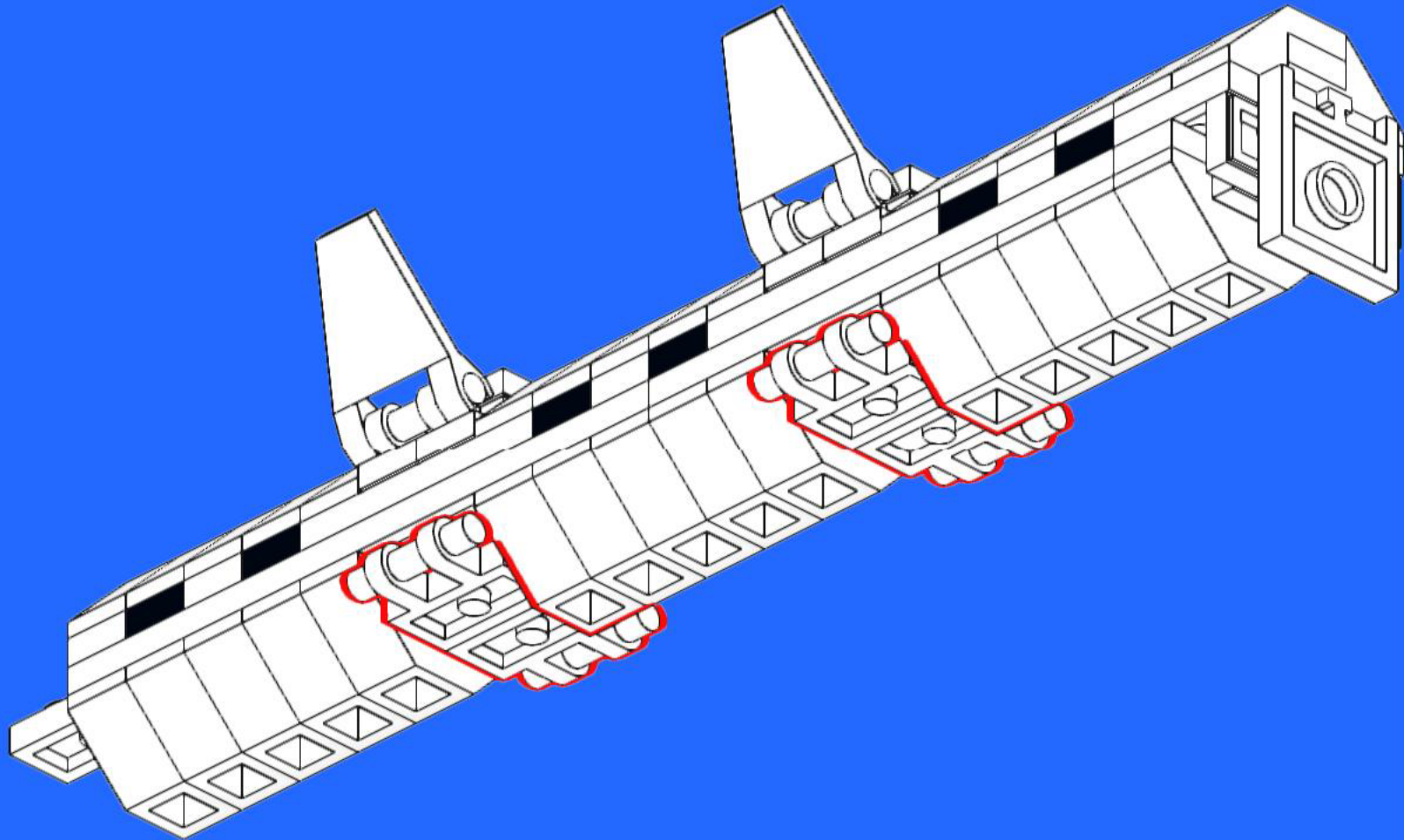
Copyright 2020 by Marc Philippi

13



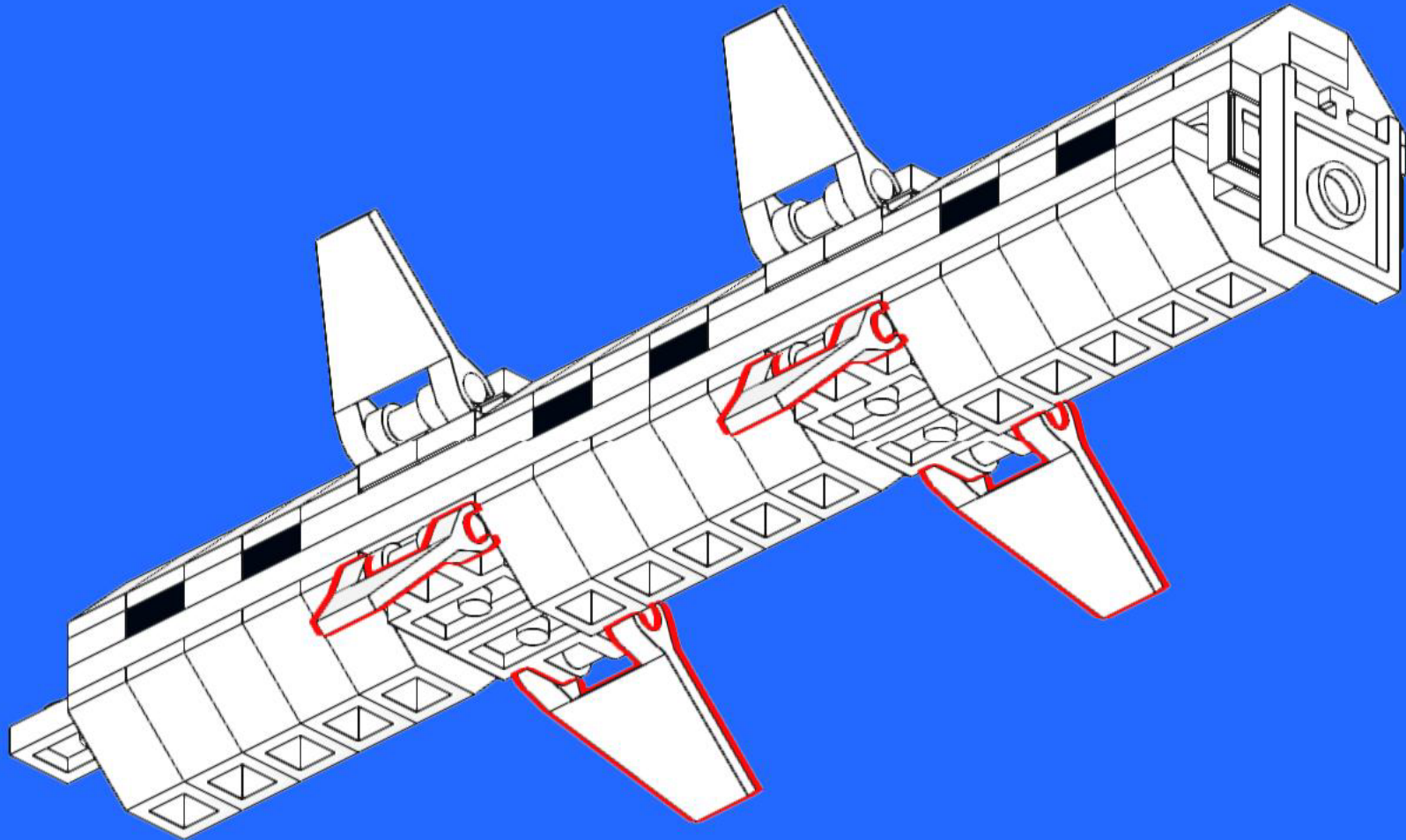
Copyright 2020 by Marc Philippi

14



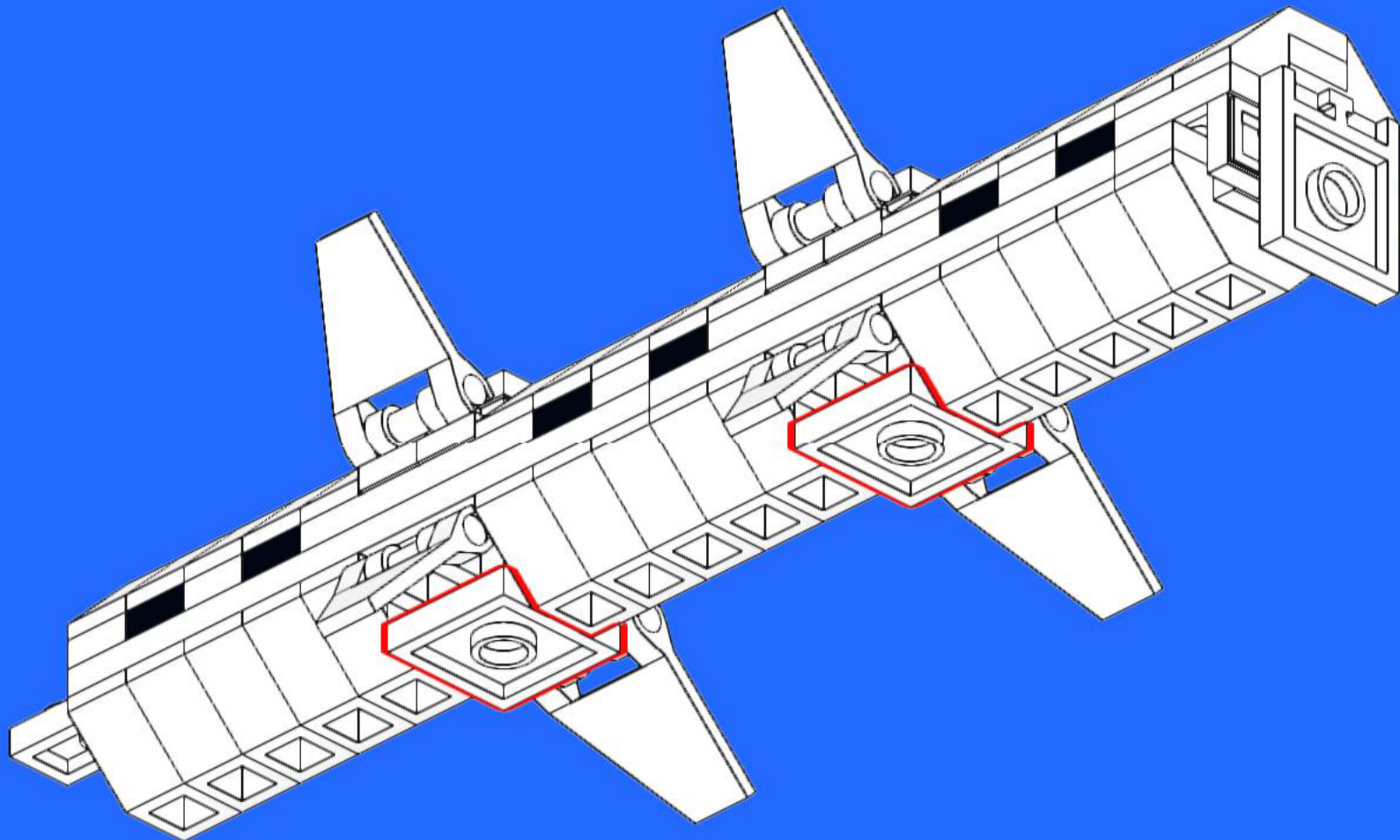
Copyright 2020 by Marc Philippi

15



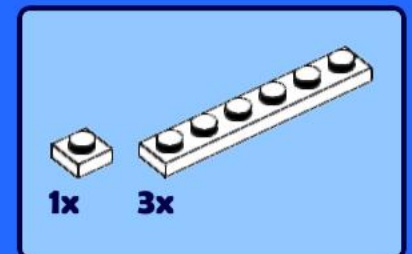
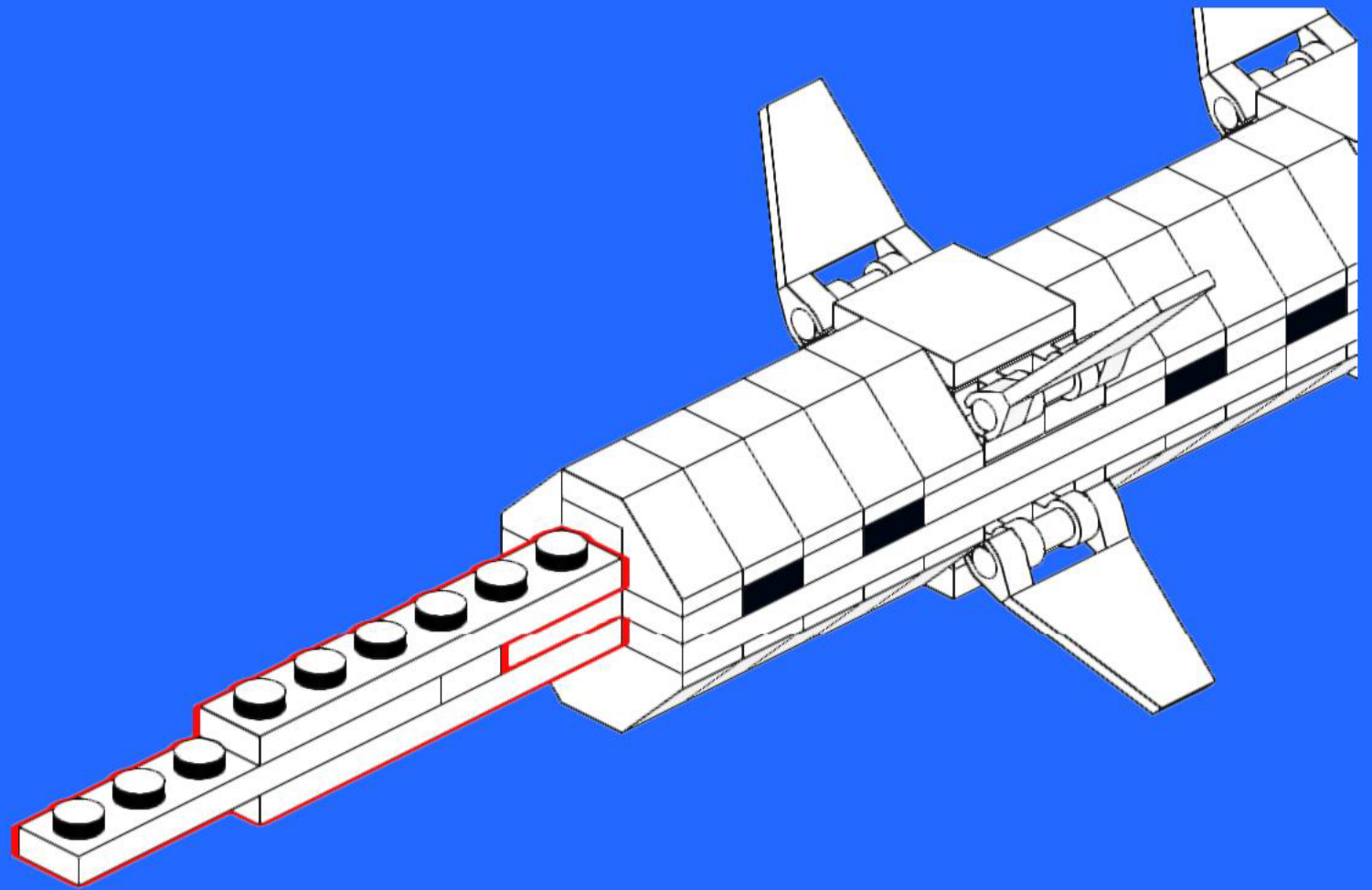
Copyright 2020 by Marc Philippi

16

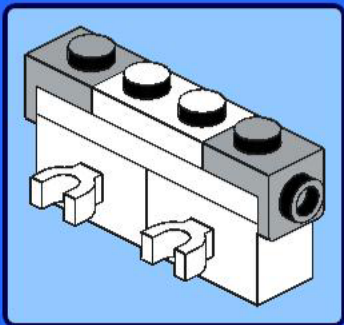
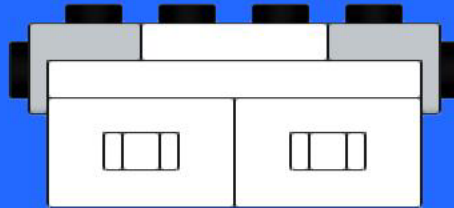
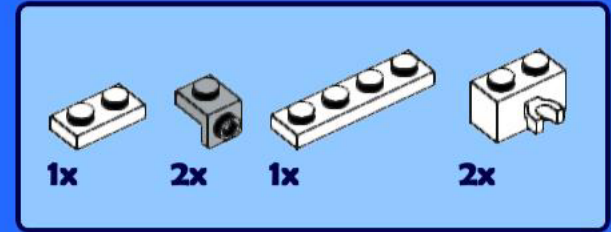


Copyright 2020 by Marc Philippi

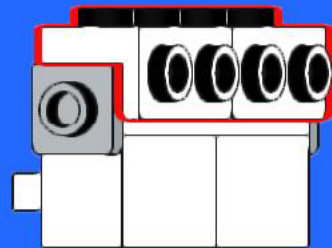
17



18

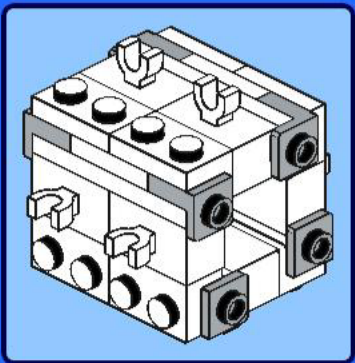
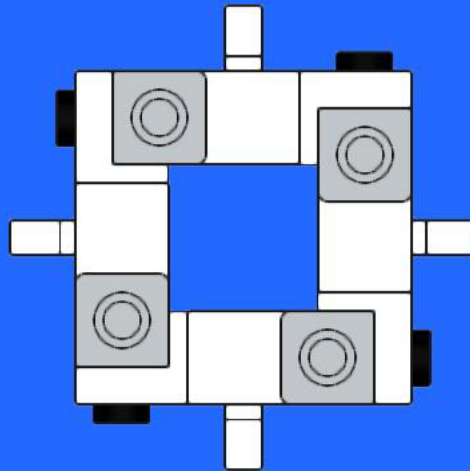


19



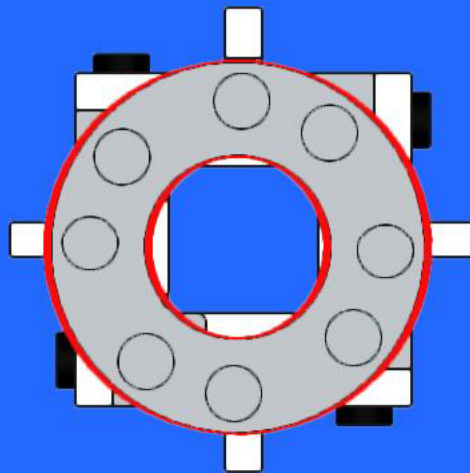
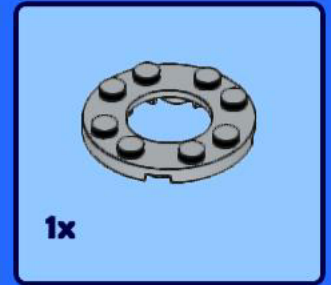
4x

20

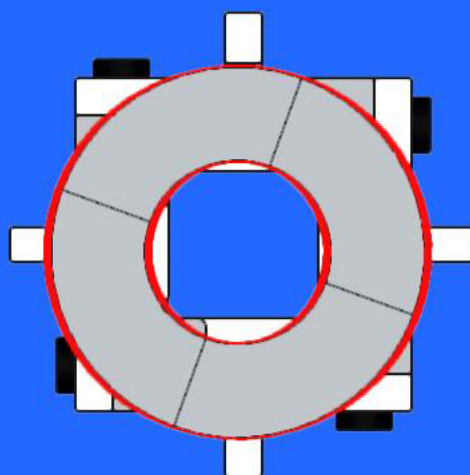


Copyright 2020 by Marc Philippi

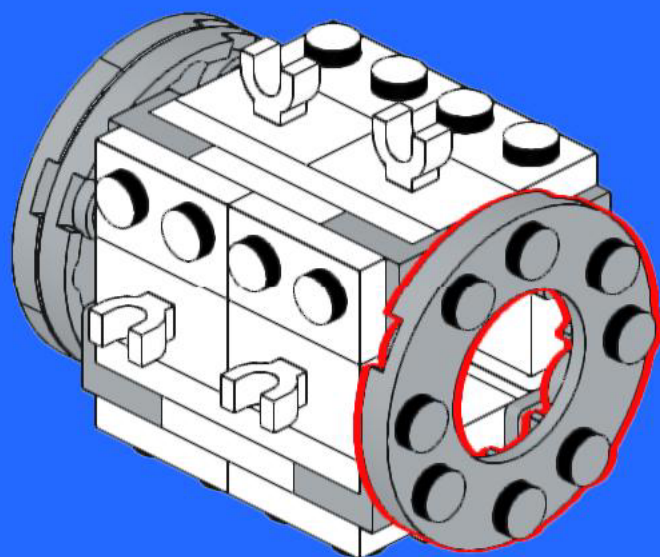
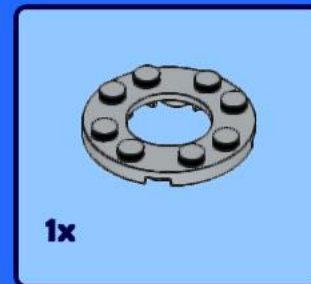
21



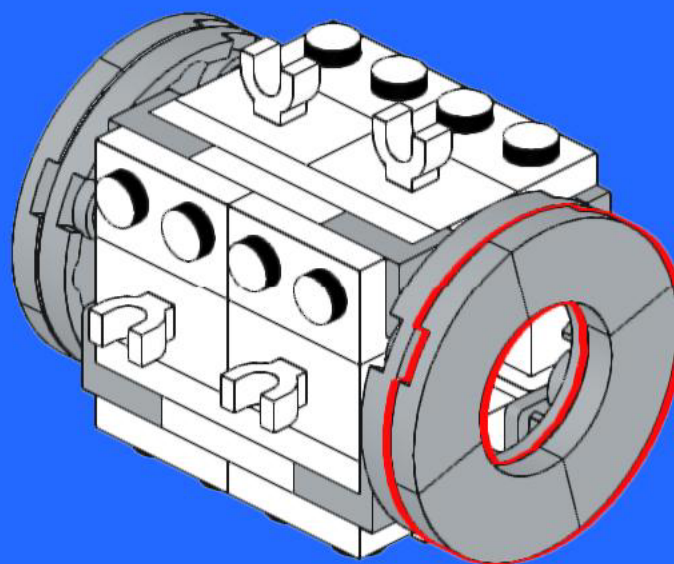
22



23

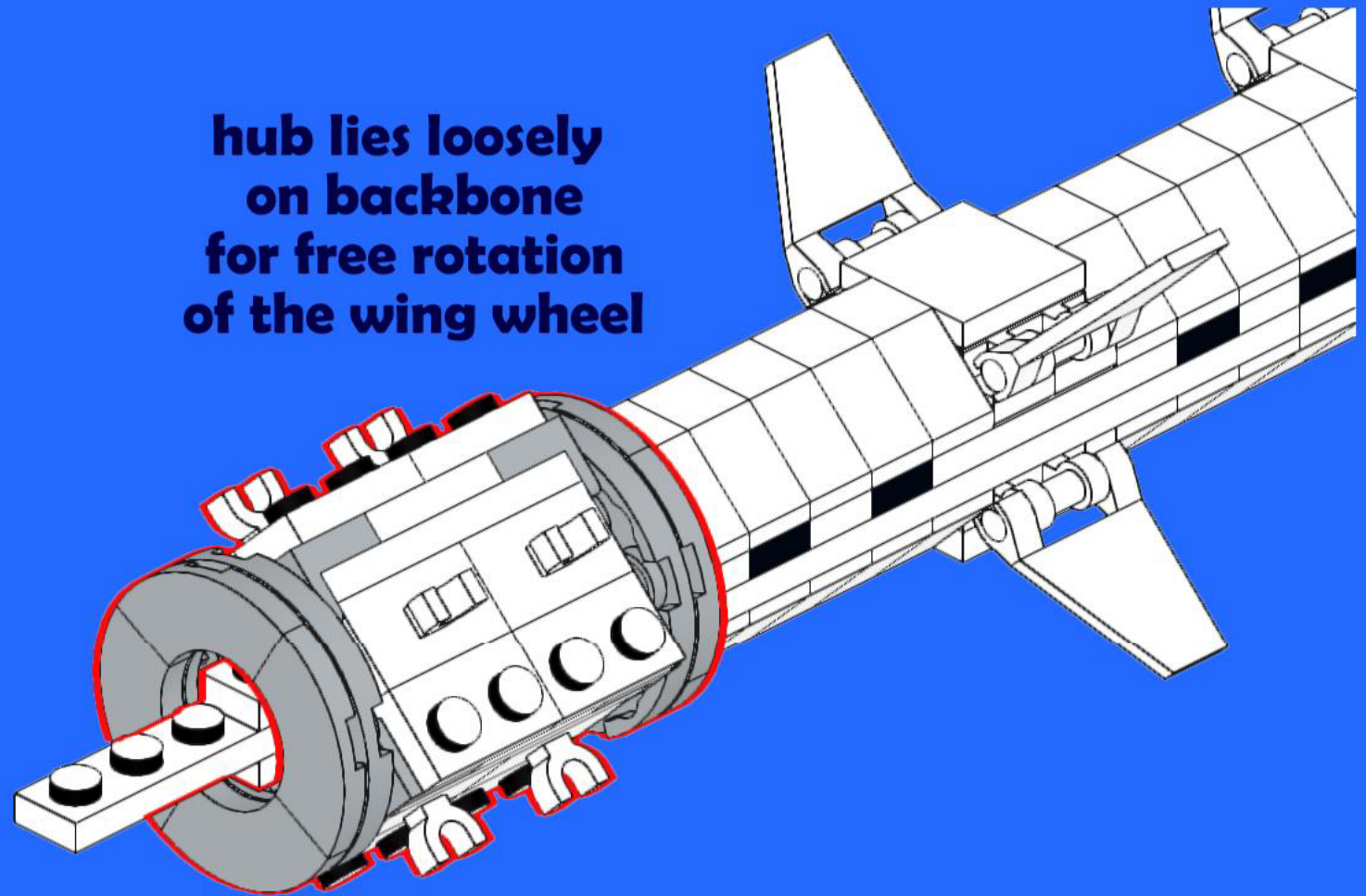


24



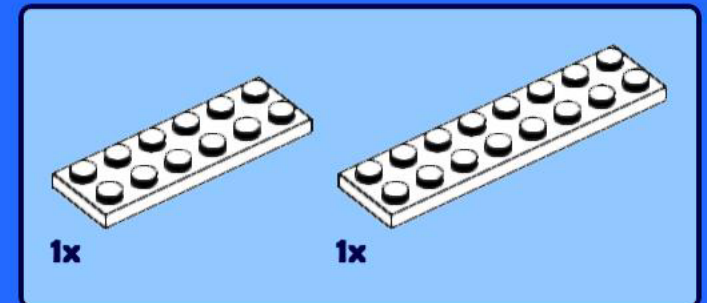
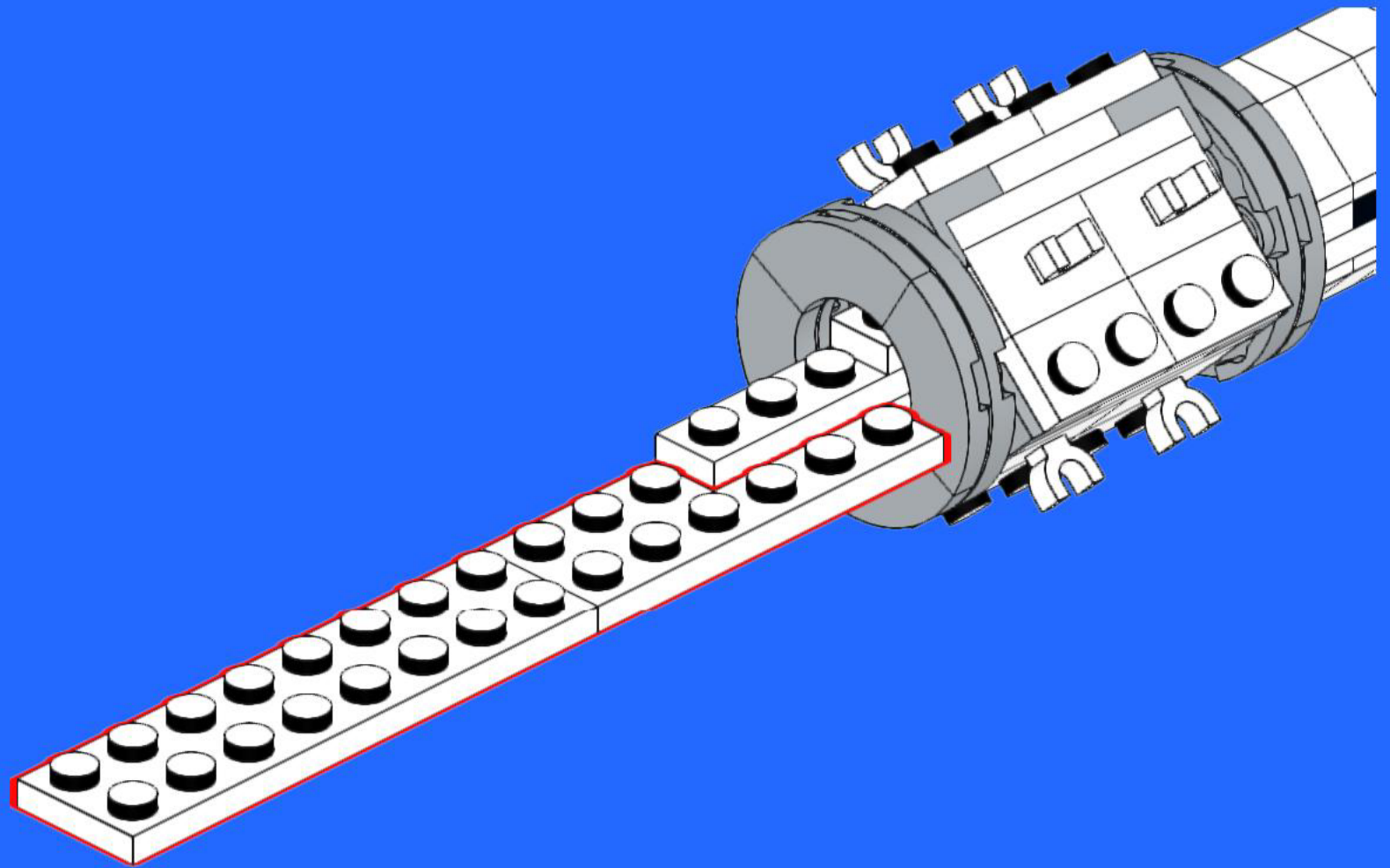
25

**hub lies loosely
on backbone
for free rotation
of the wing wheel**



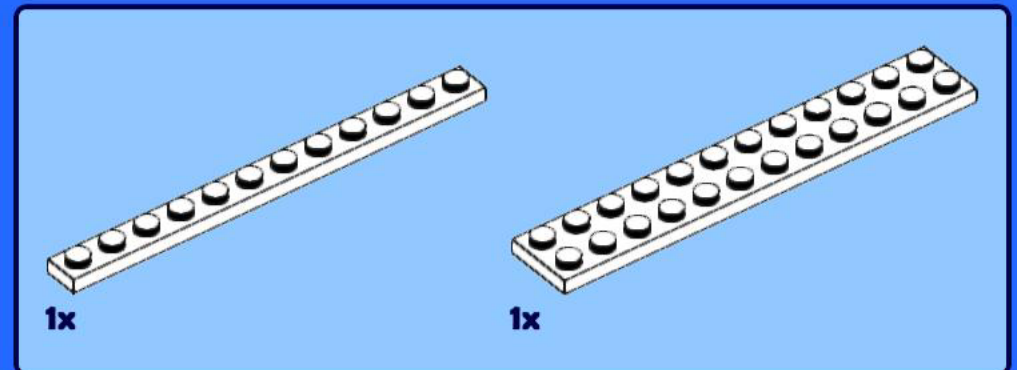
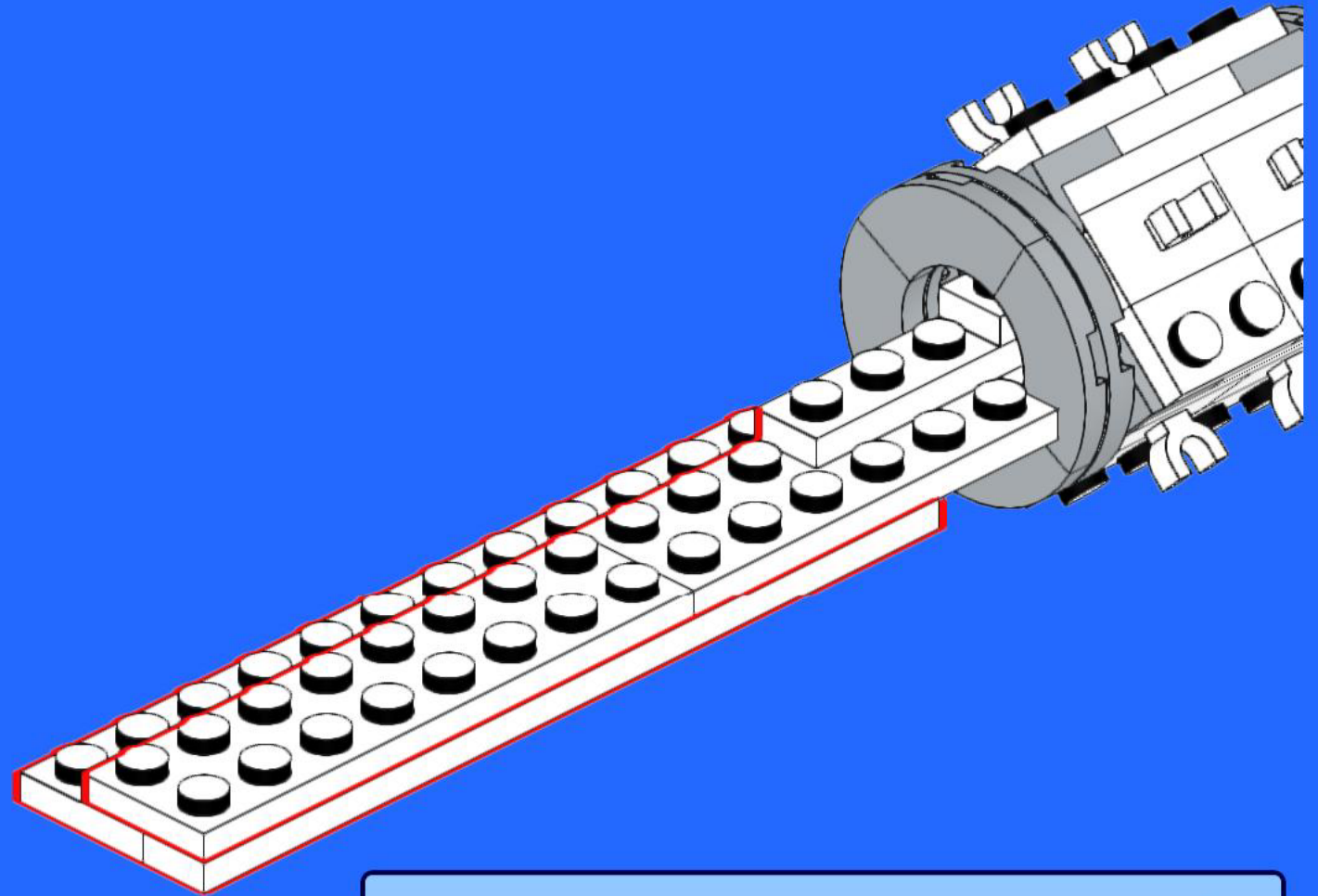
**Die Nabe liegt lose auf
der Hauptachse, damit
das Flügelrad drehbar ist**

26



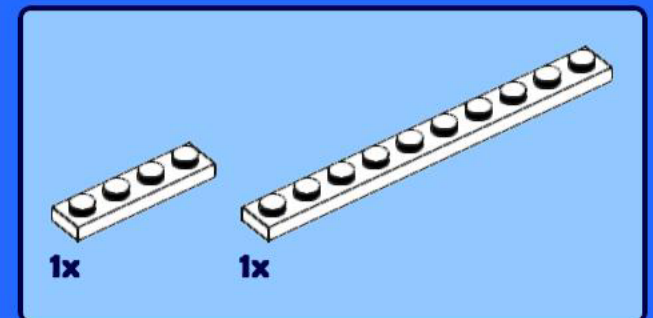
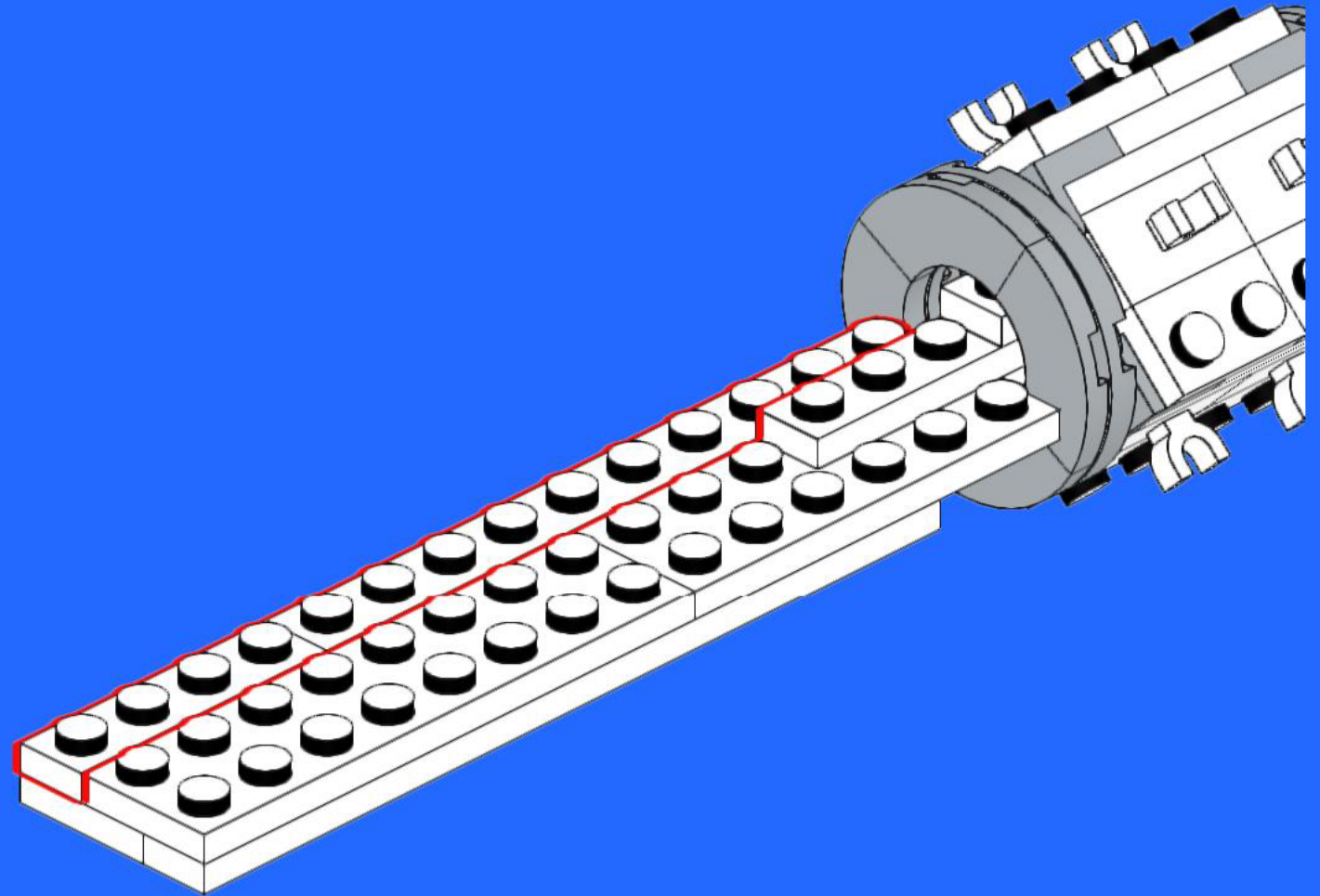
Copyright 2020 by Marc Philippi

27



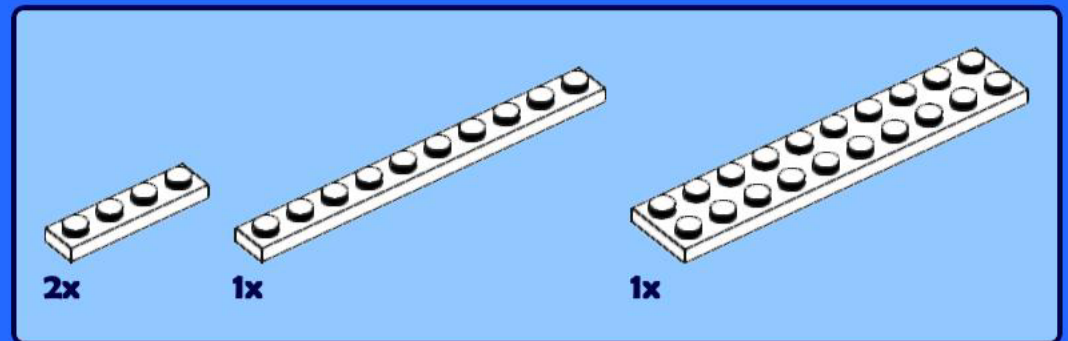
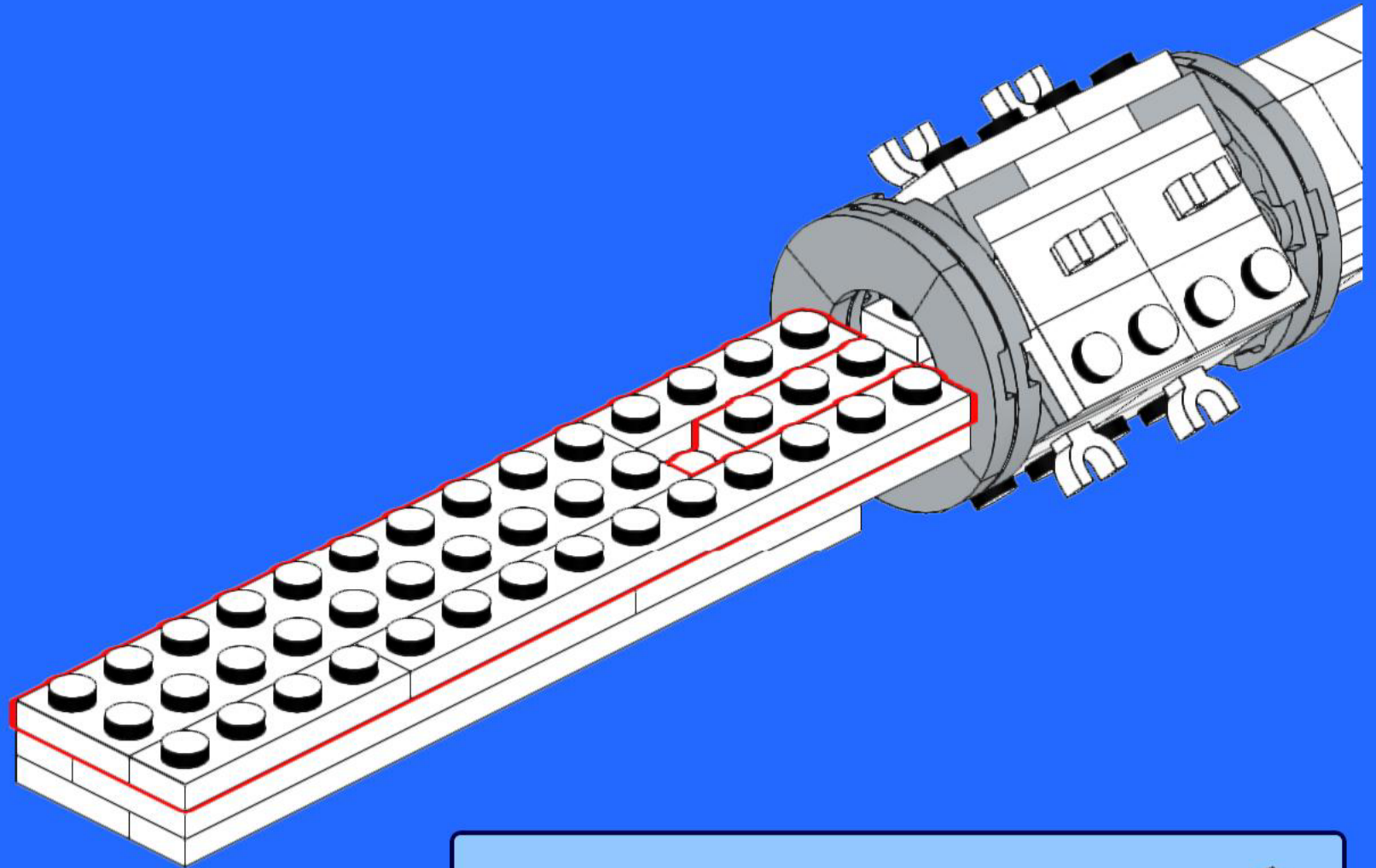
Copyright 2020 by Marc Philippi

28



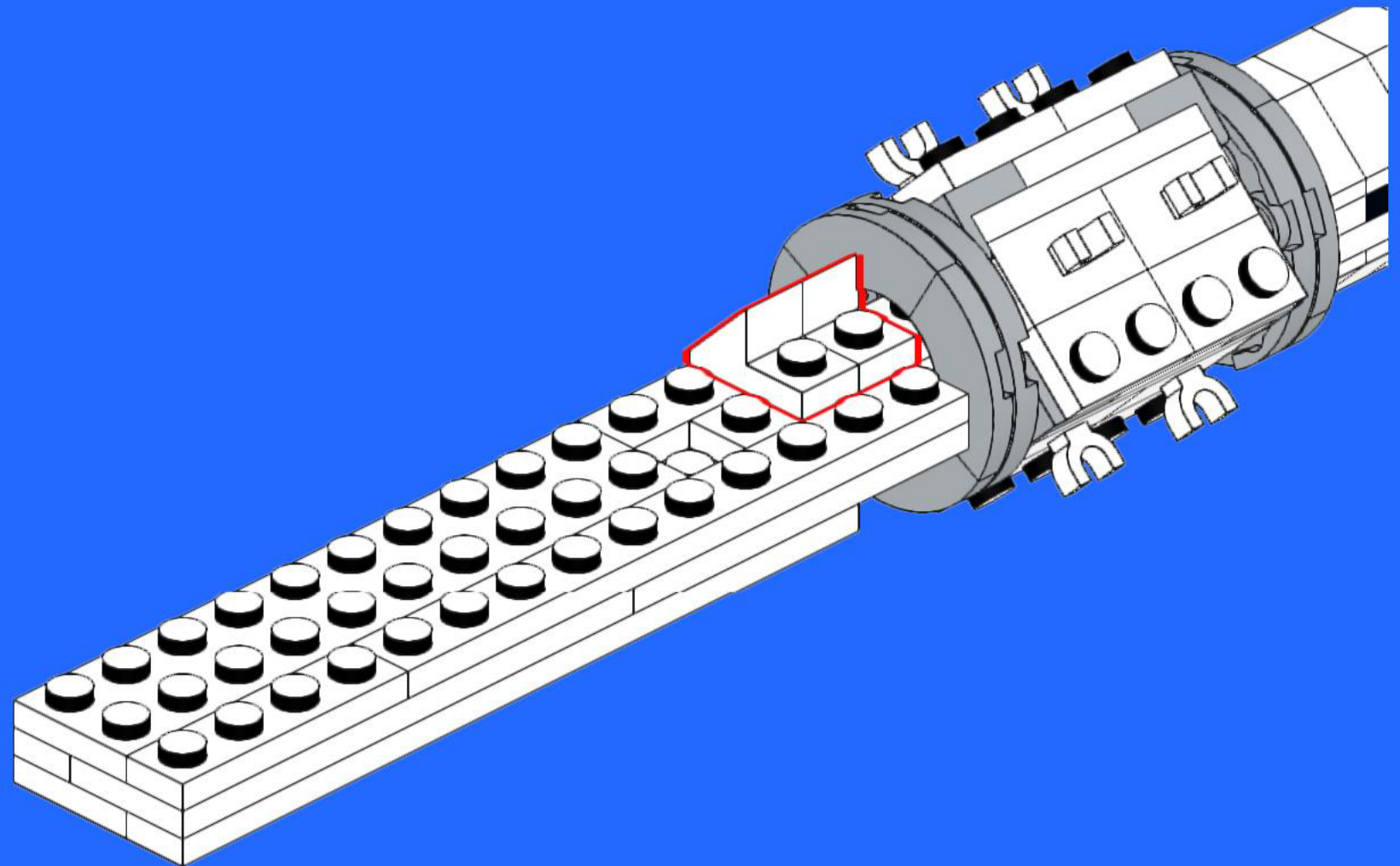
Copyright 2020 by Marc Philippi

29

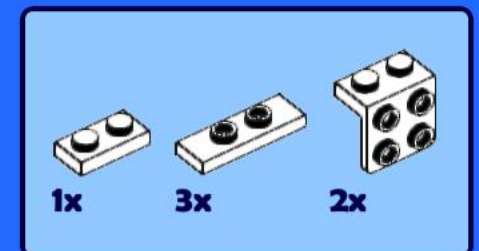
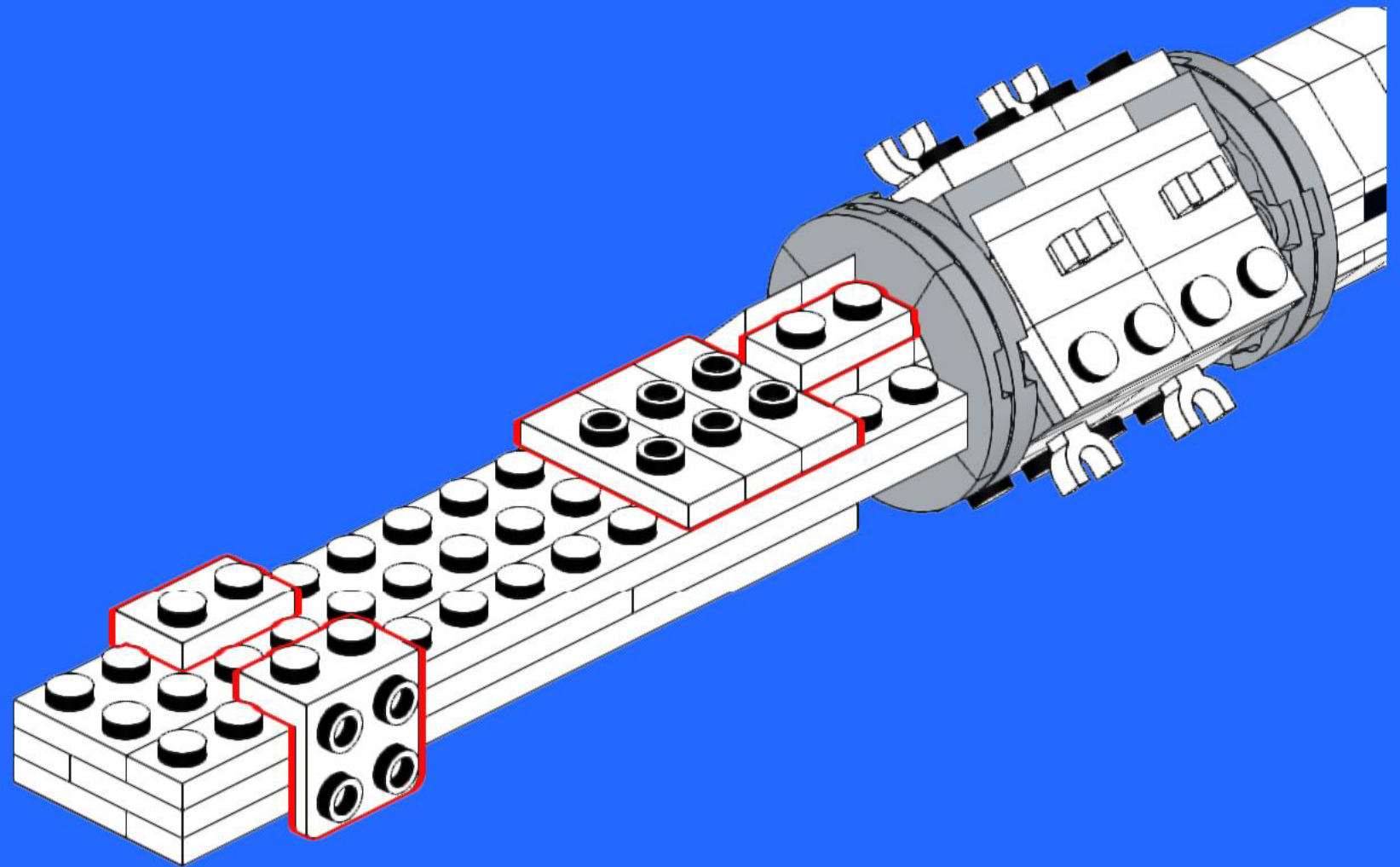


Copyright 2020 by Marc Philippi

30

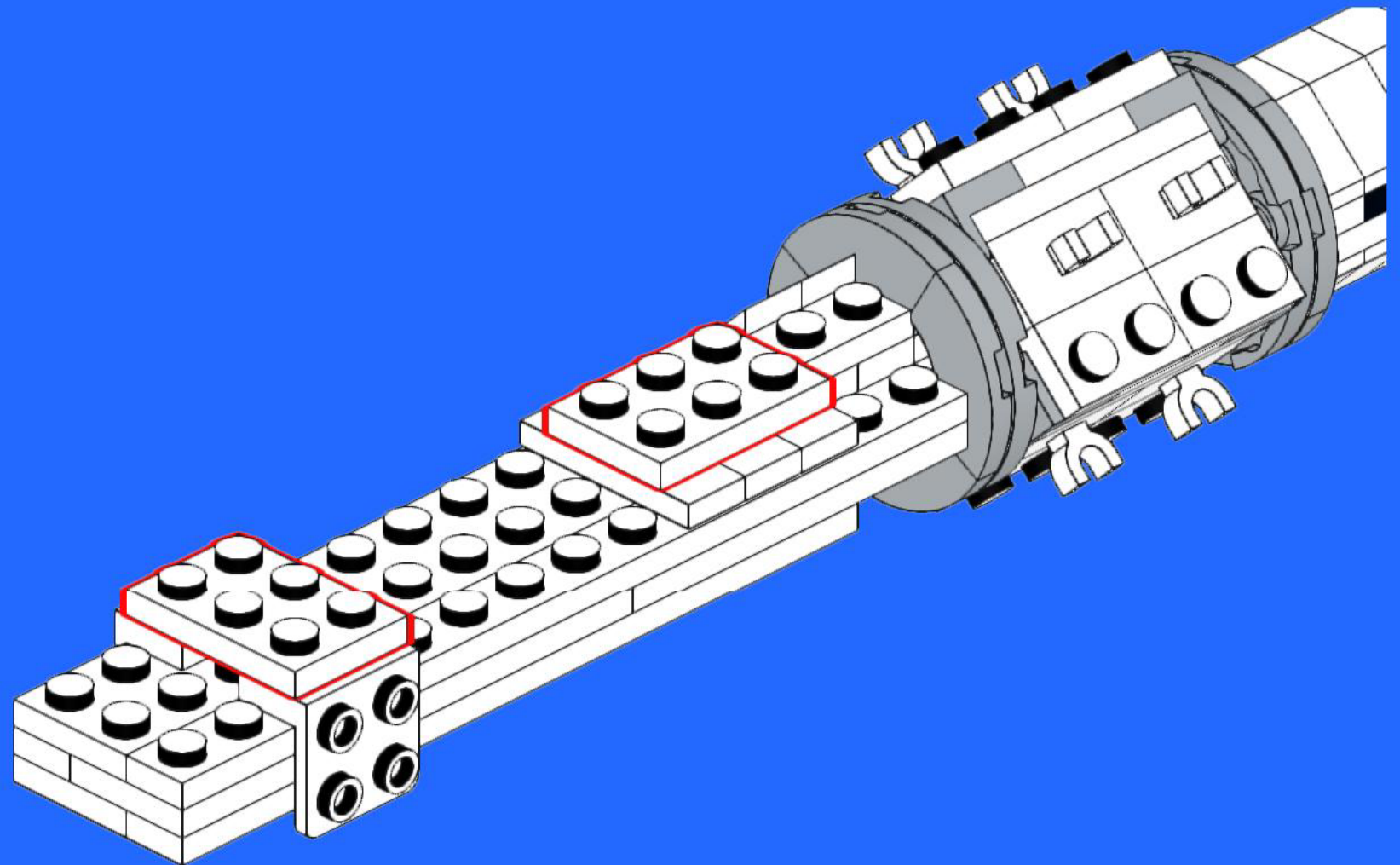


31



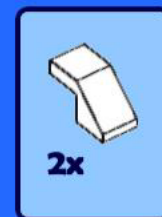
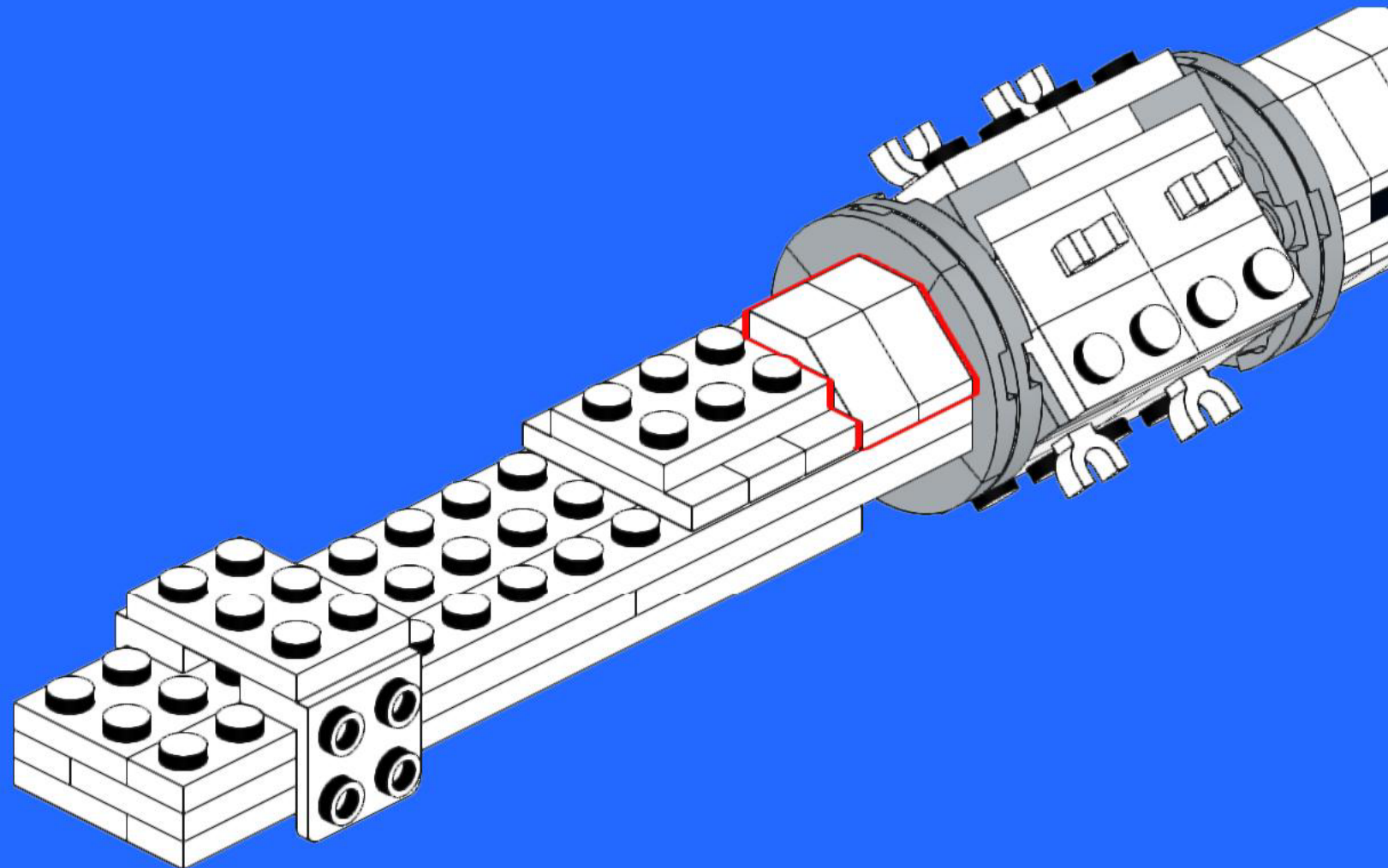
Copyright 2020 by Marc Philippi

32

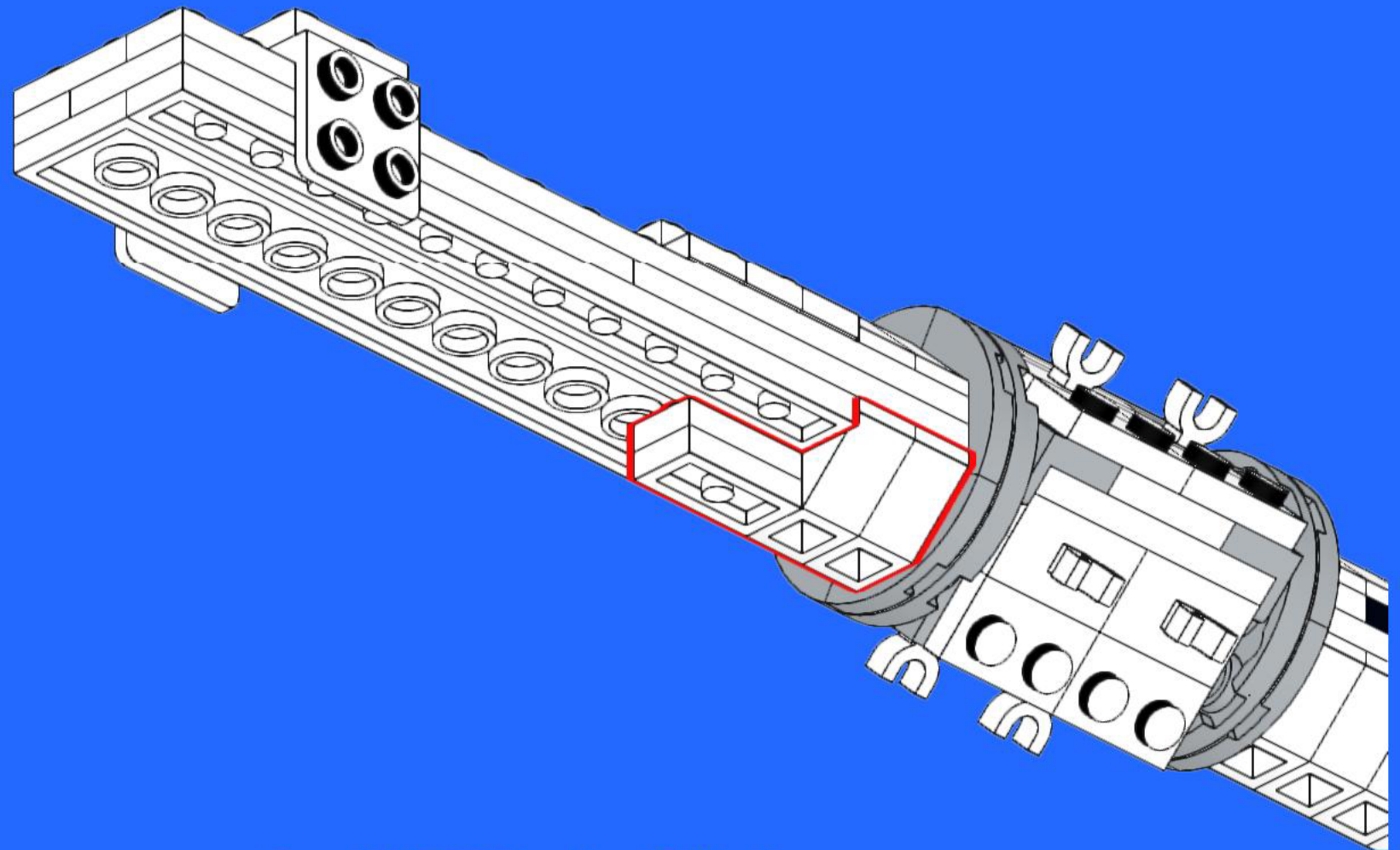
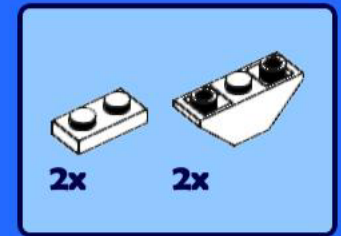


Copyright 2020 by Marc Philippi

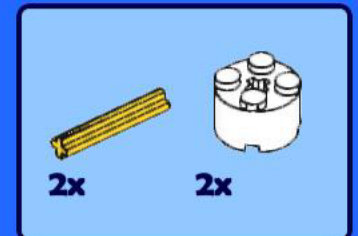
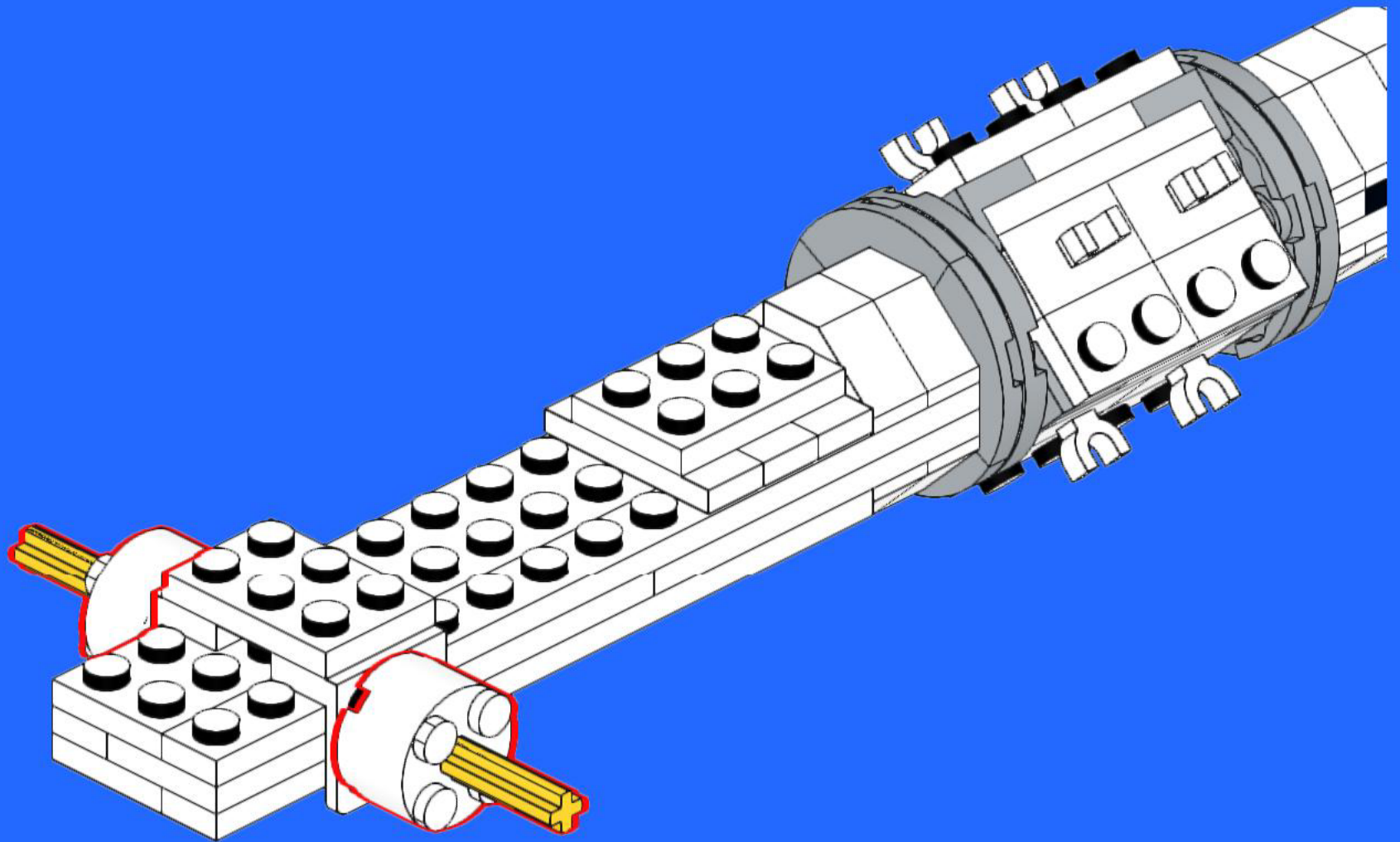
33



34

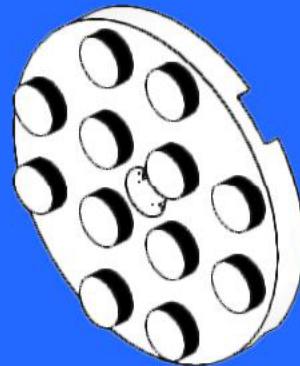
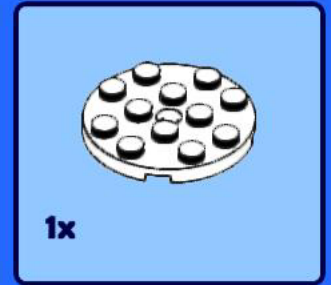


35

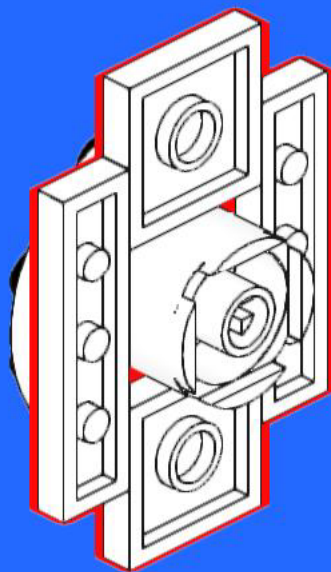
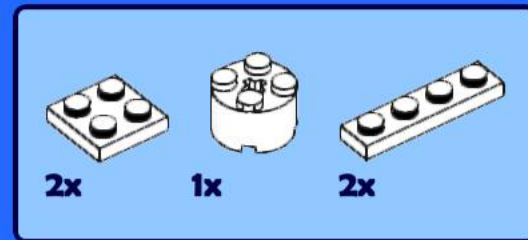


Copyright 2020 by Marc Philippi

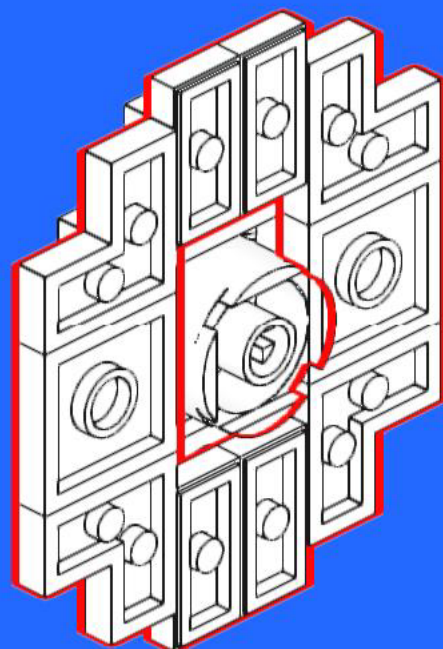
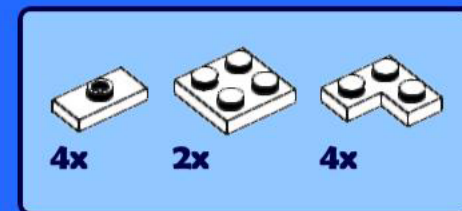
36



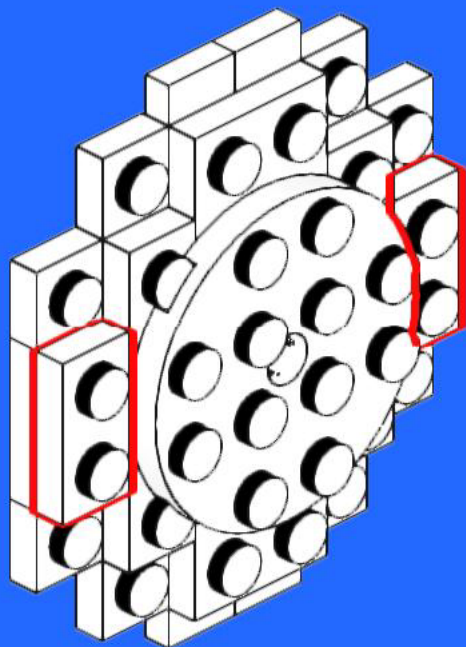
37



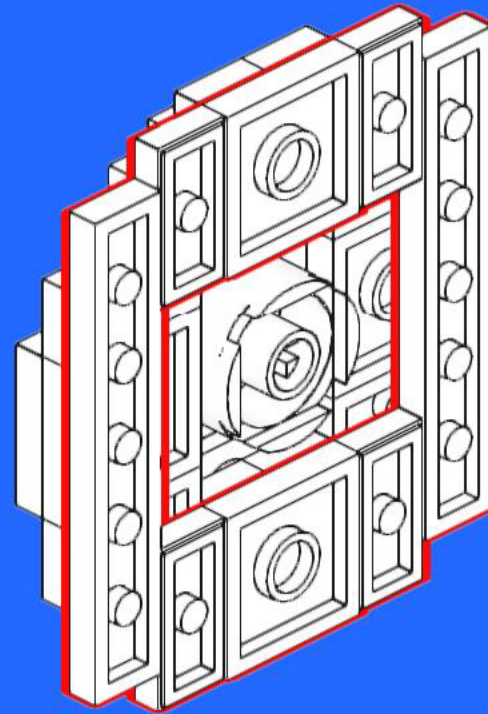
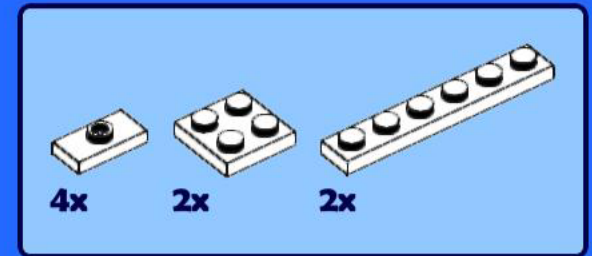
38



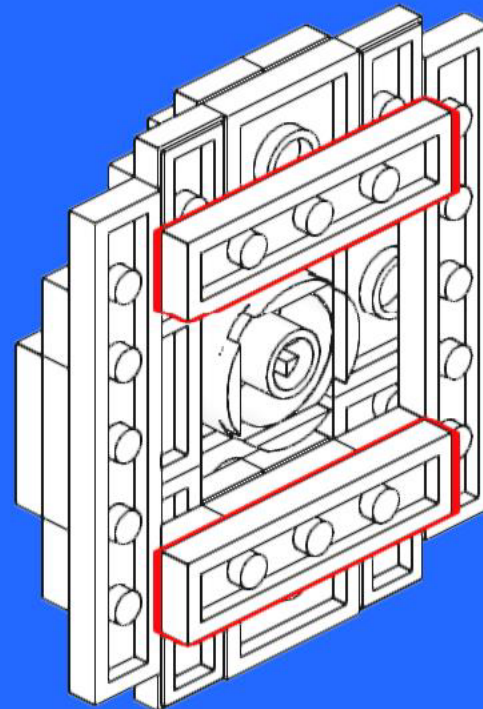
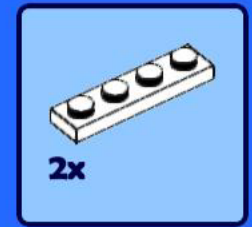
39



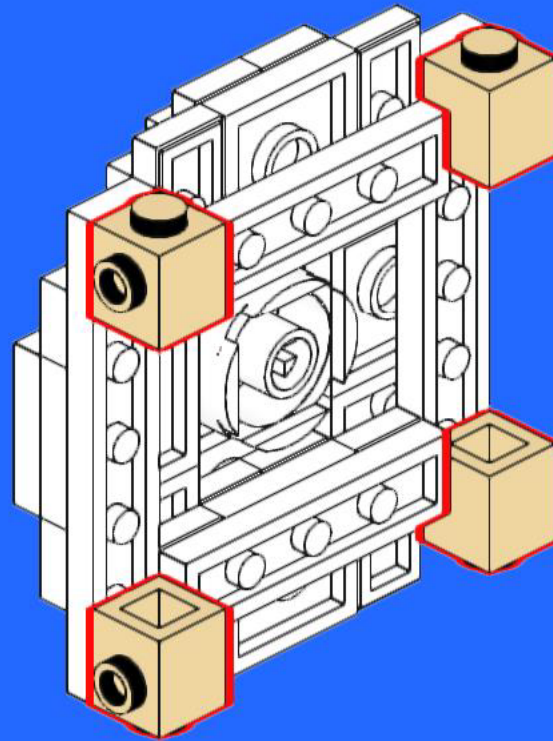
40



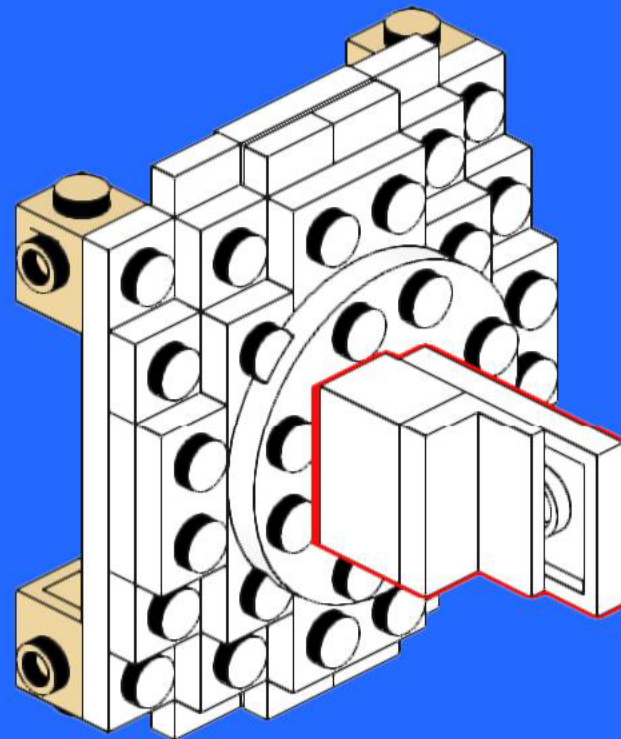
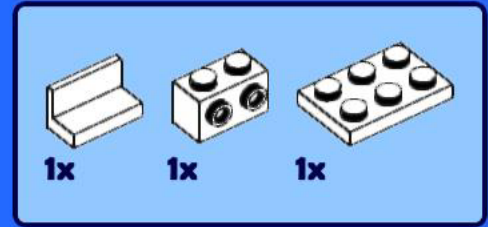
41



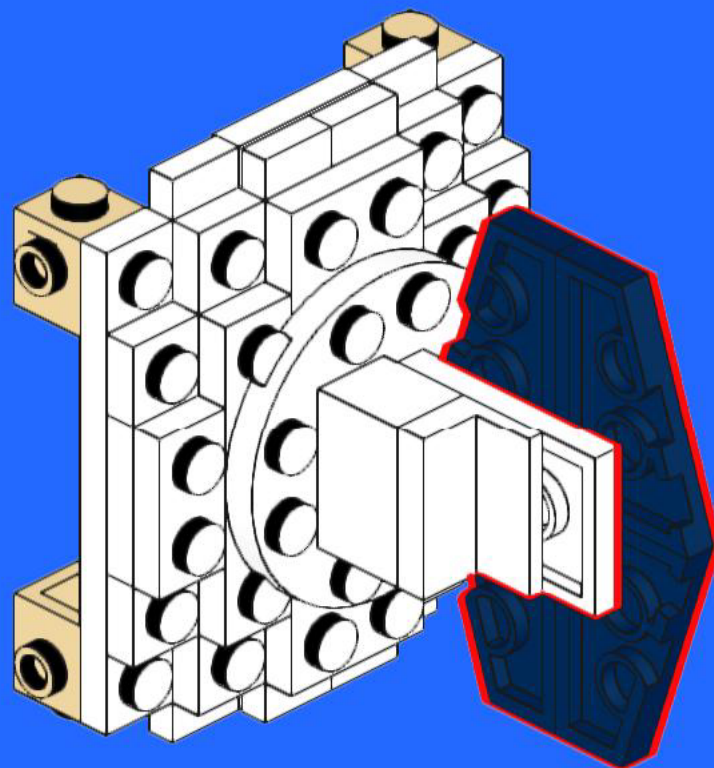
42



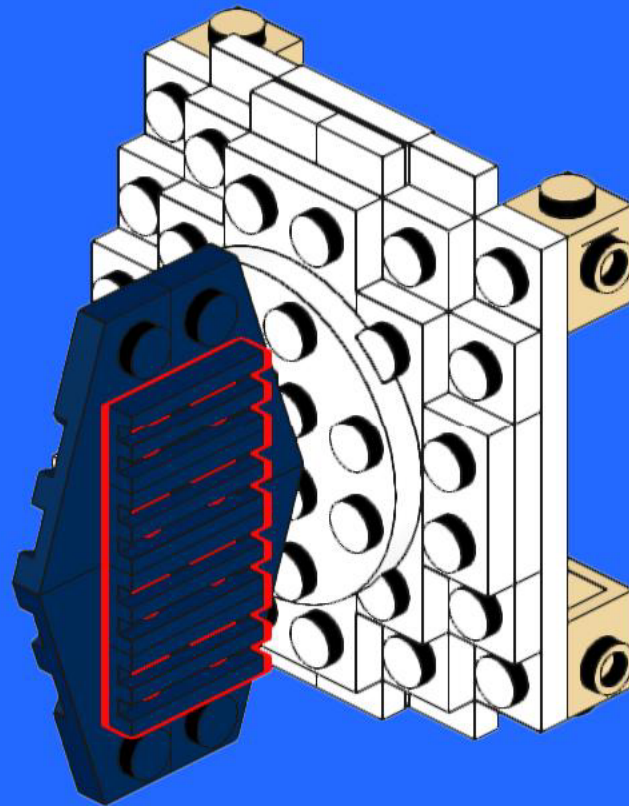
43



44



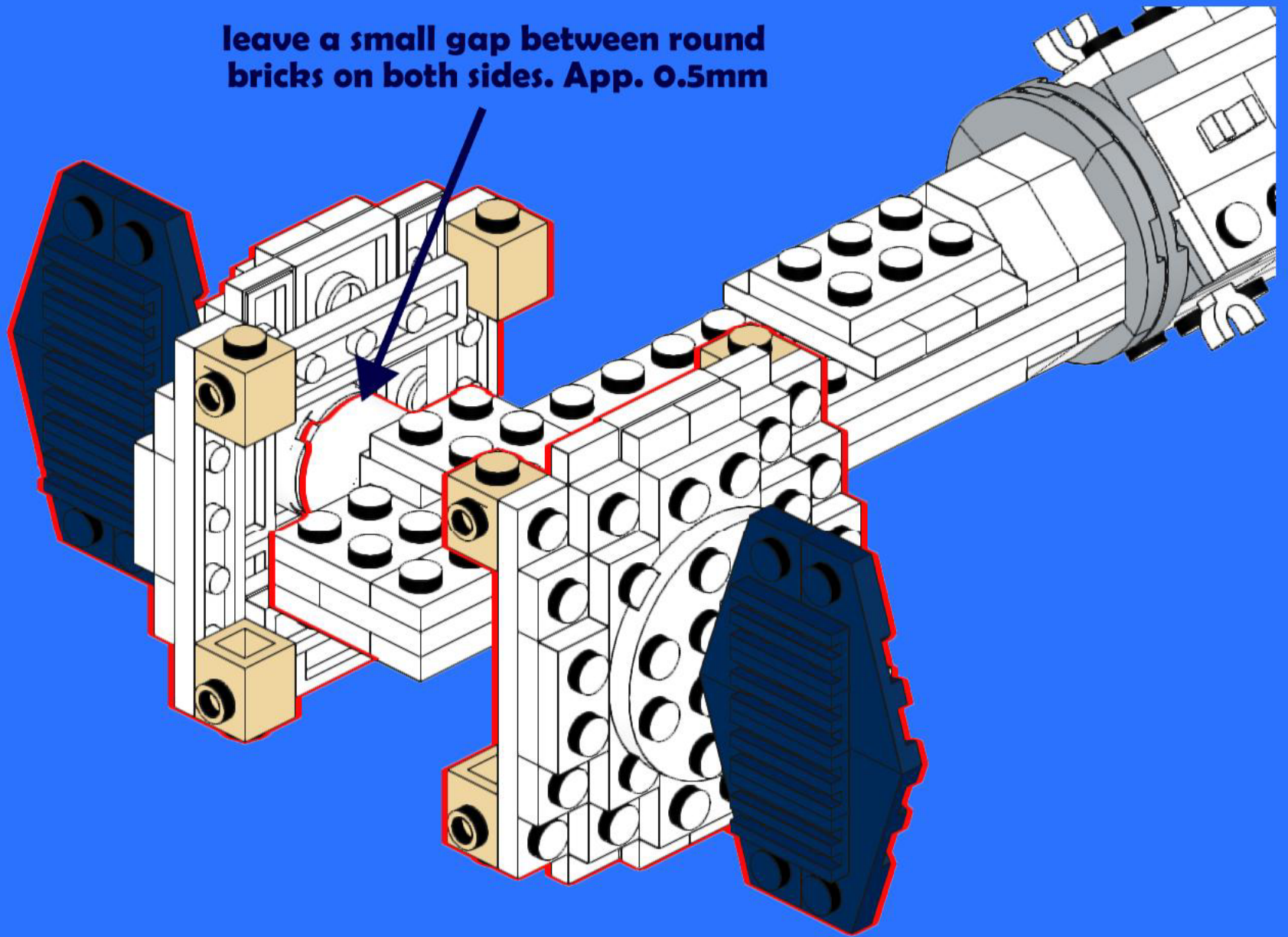
45



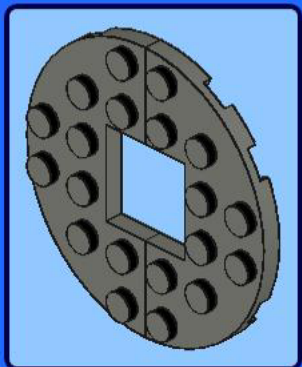
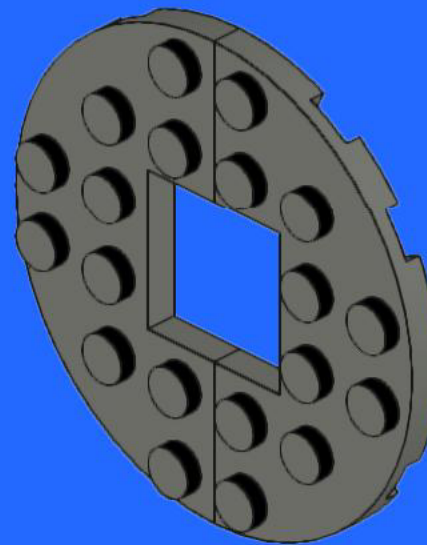
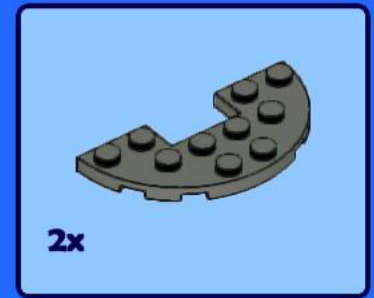
2x

46

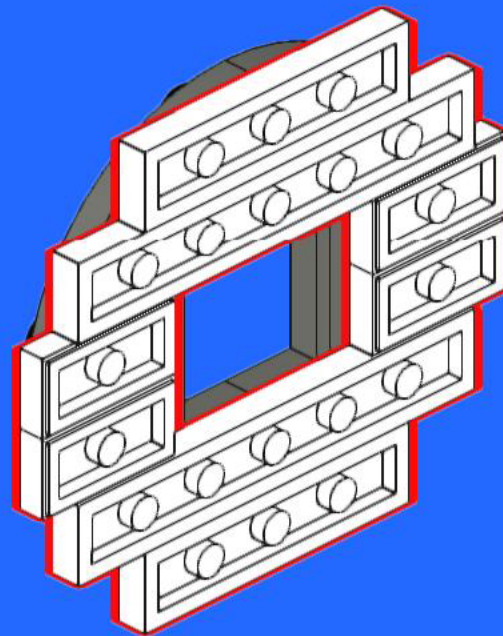
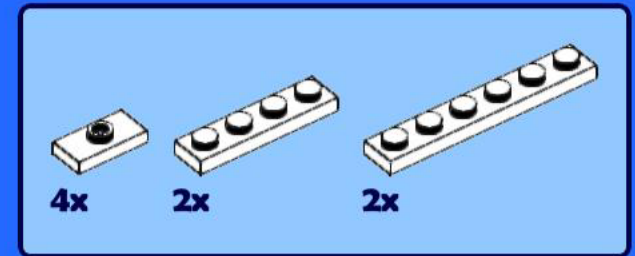
leave a small gap between round bricks on both sides. App. 0.5mm



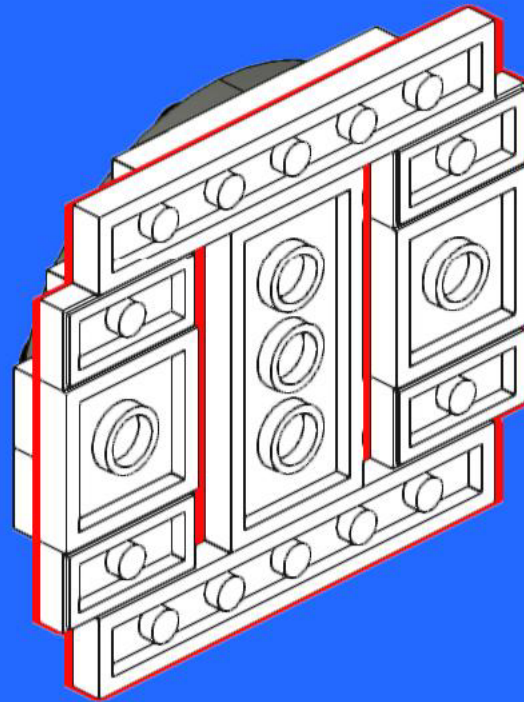
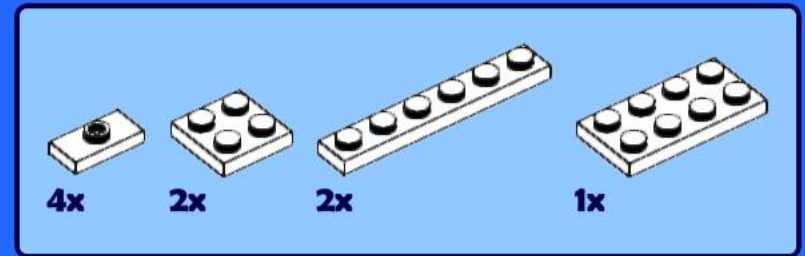
47



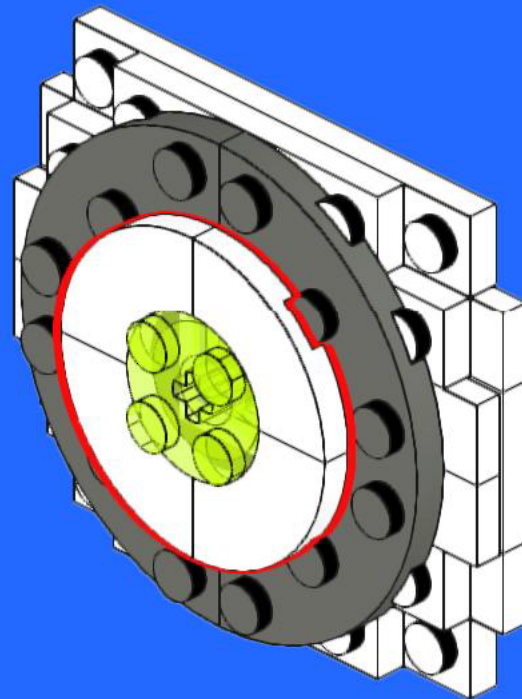
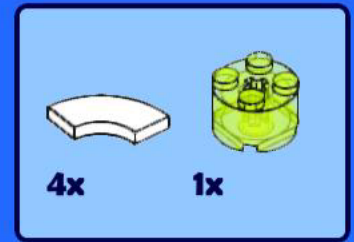
48



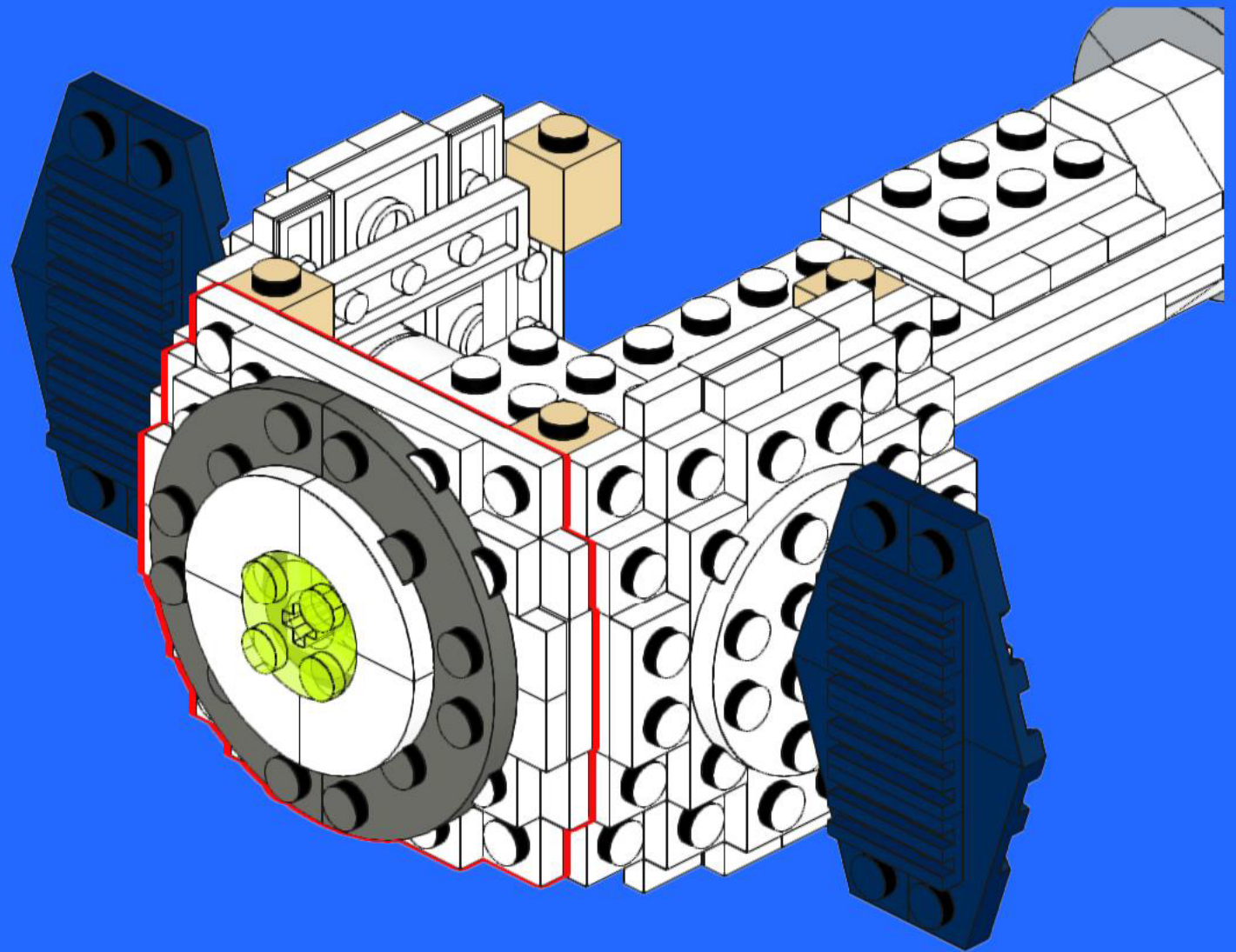
49



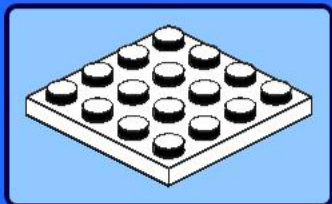
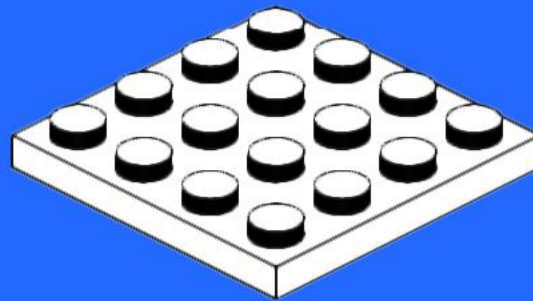
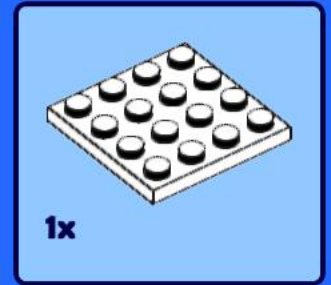
50



51

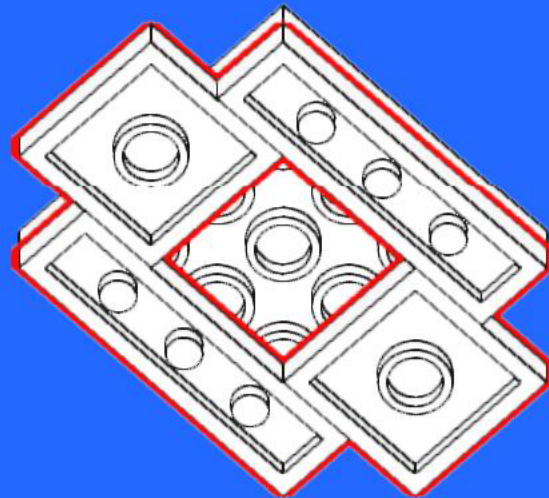
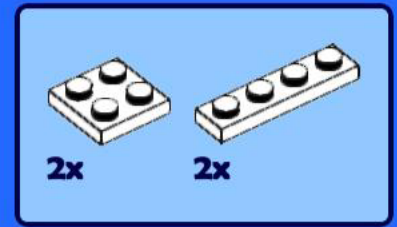


52

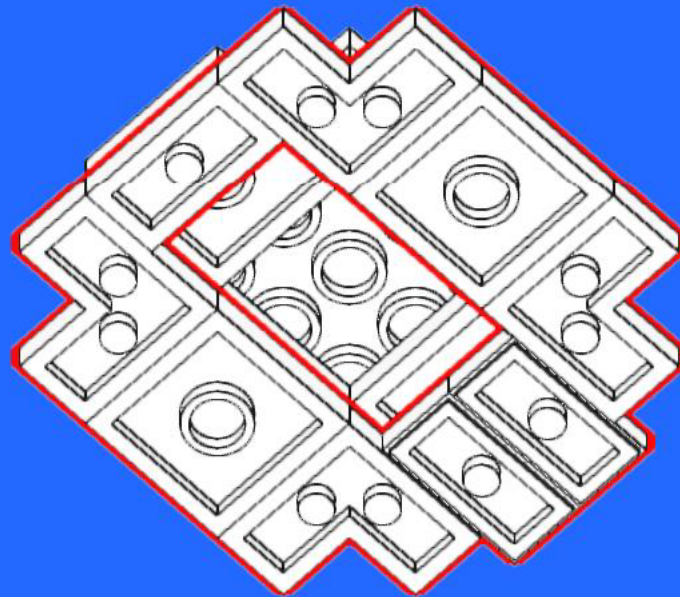
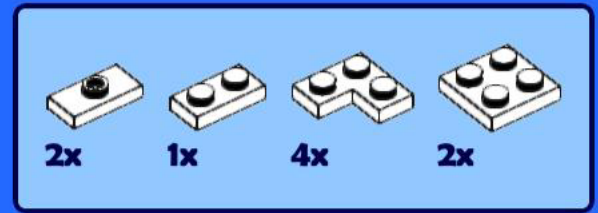


Copyright 2020 by Marc Philippi

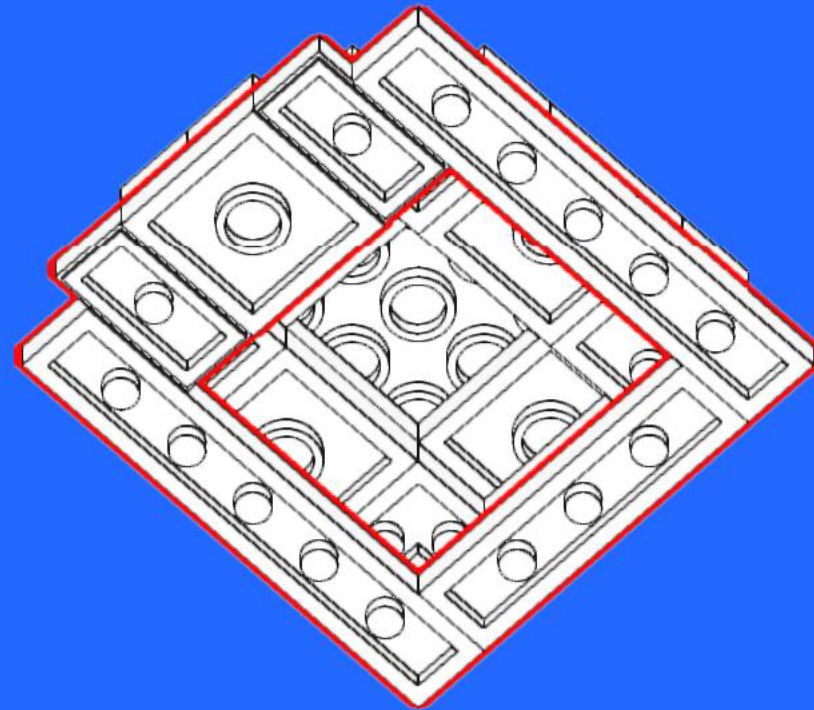
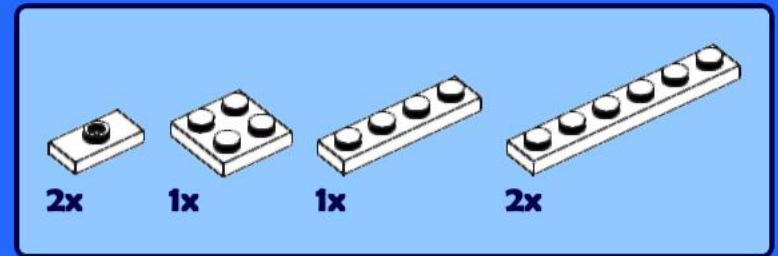
53



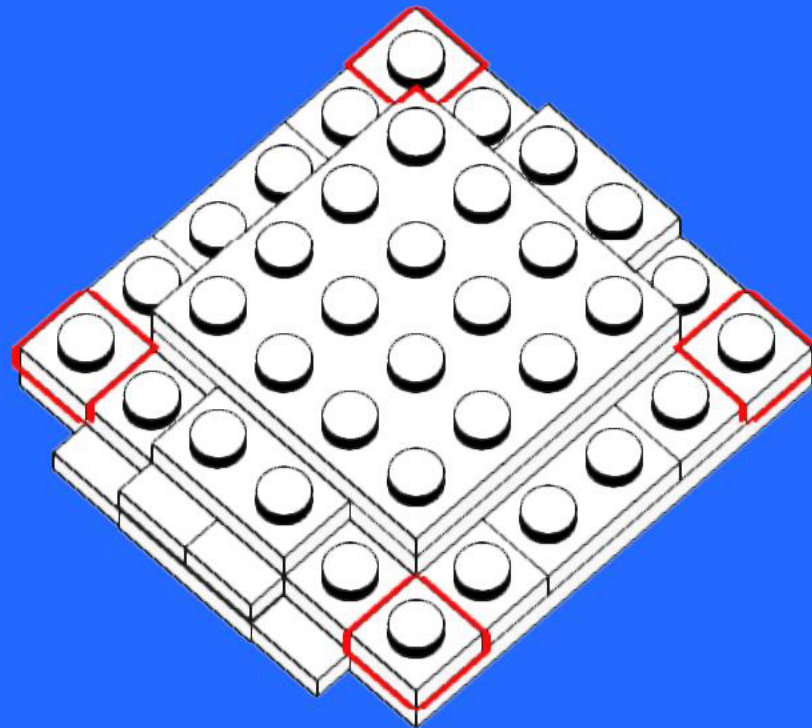
54



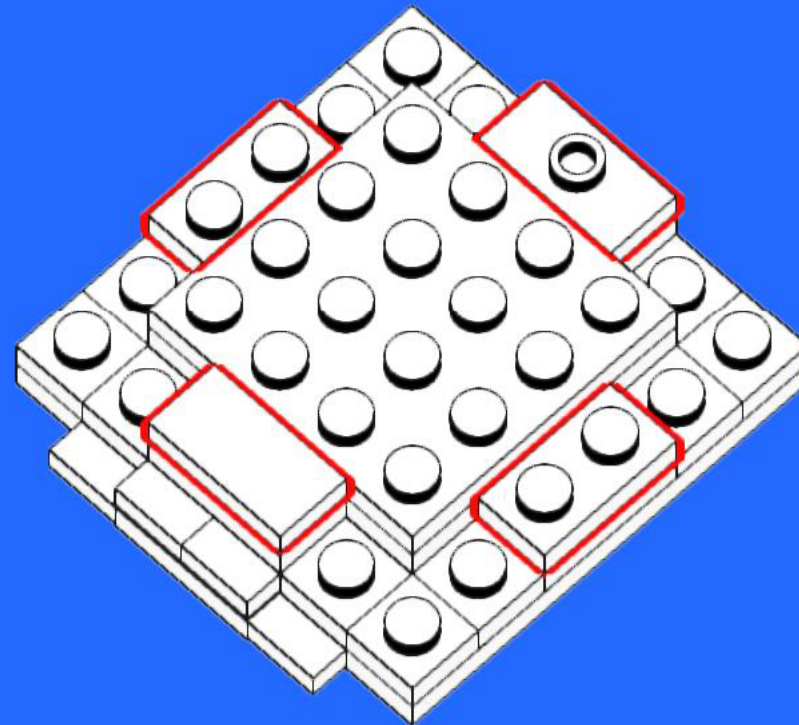
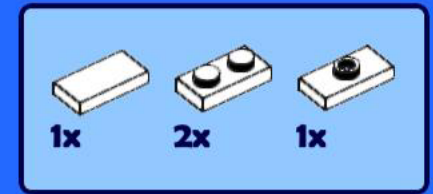
55



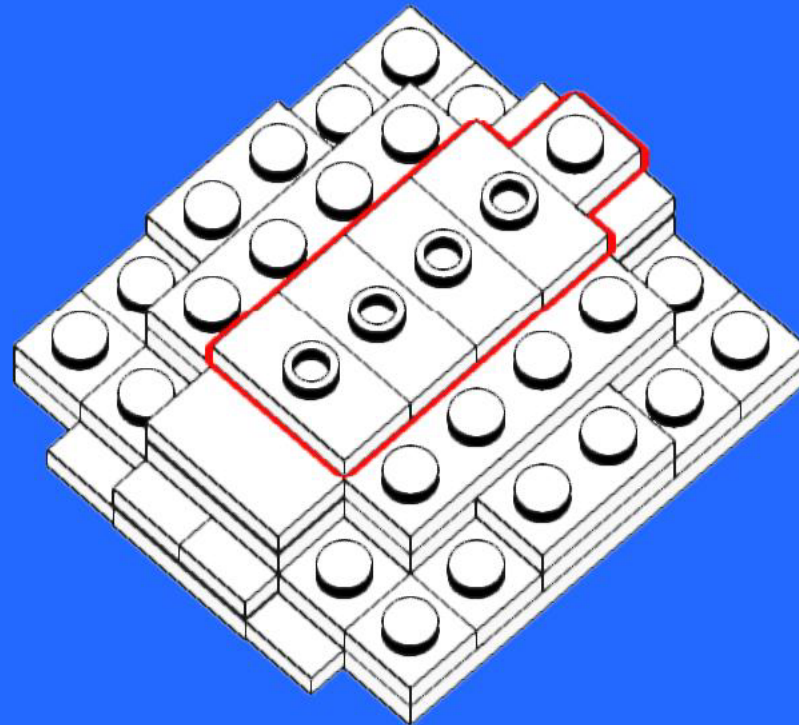
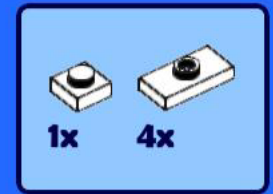
56



57

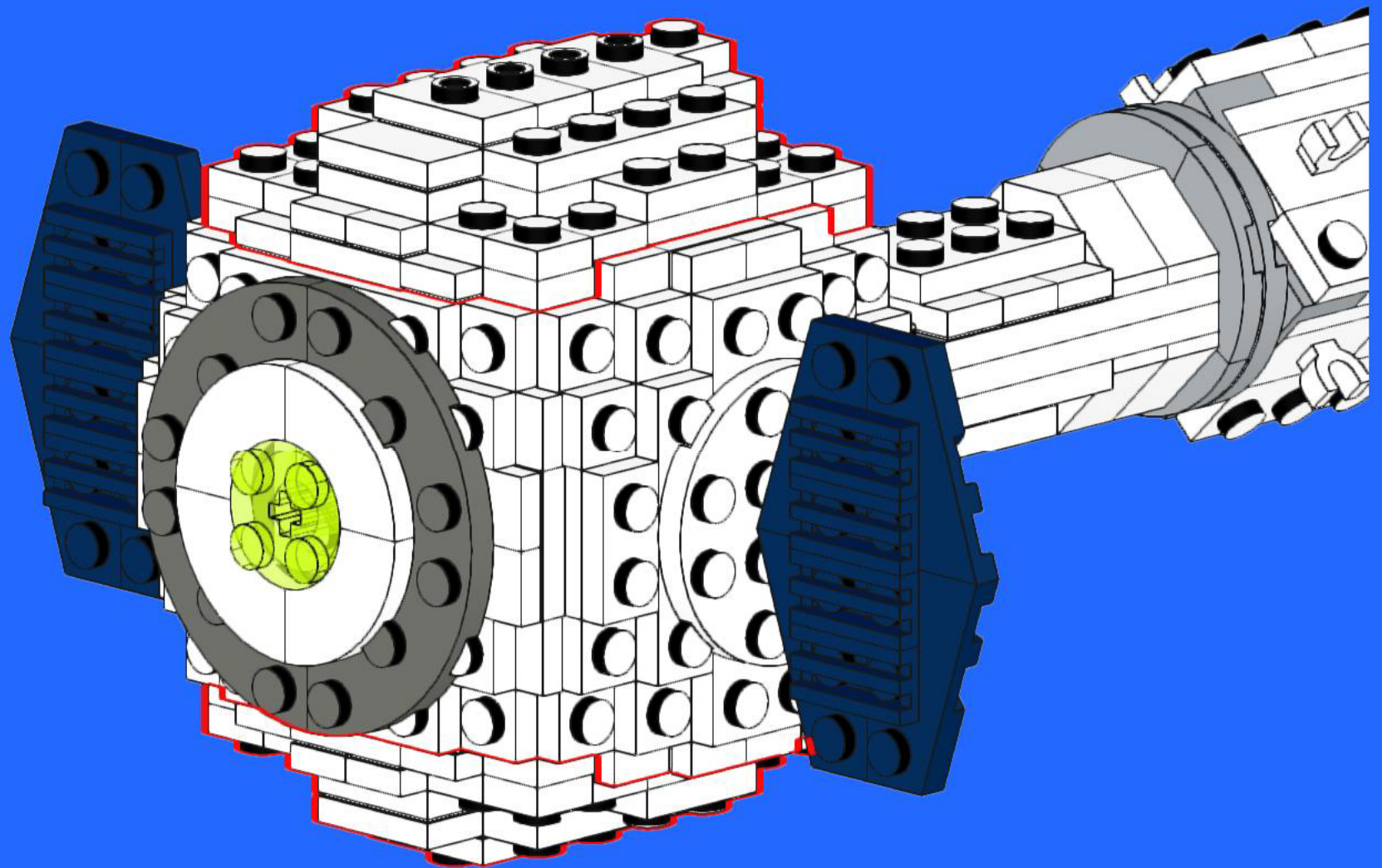


58



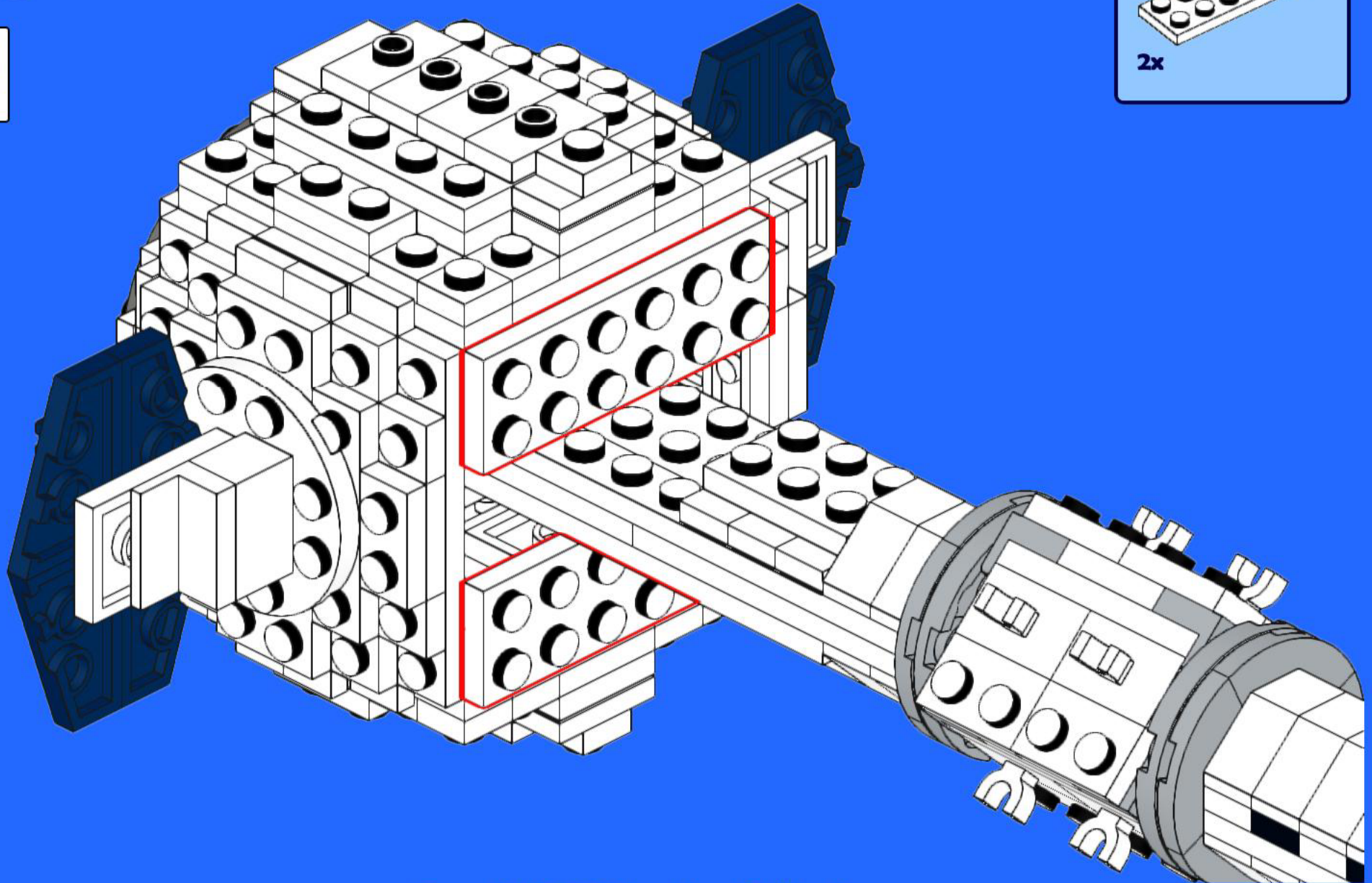
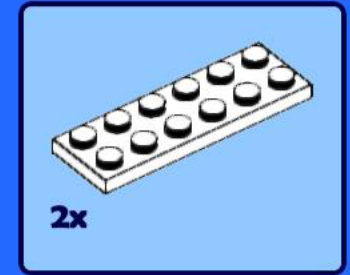
2x

59



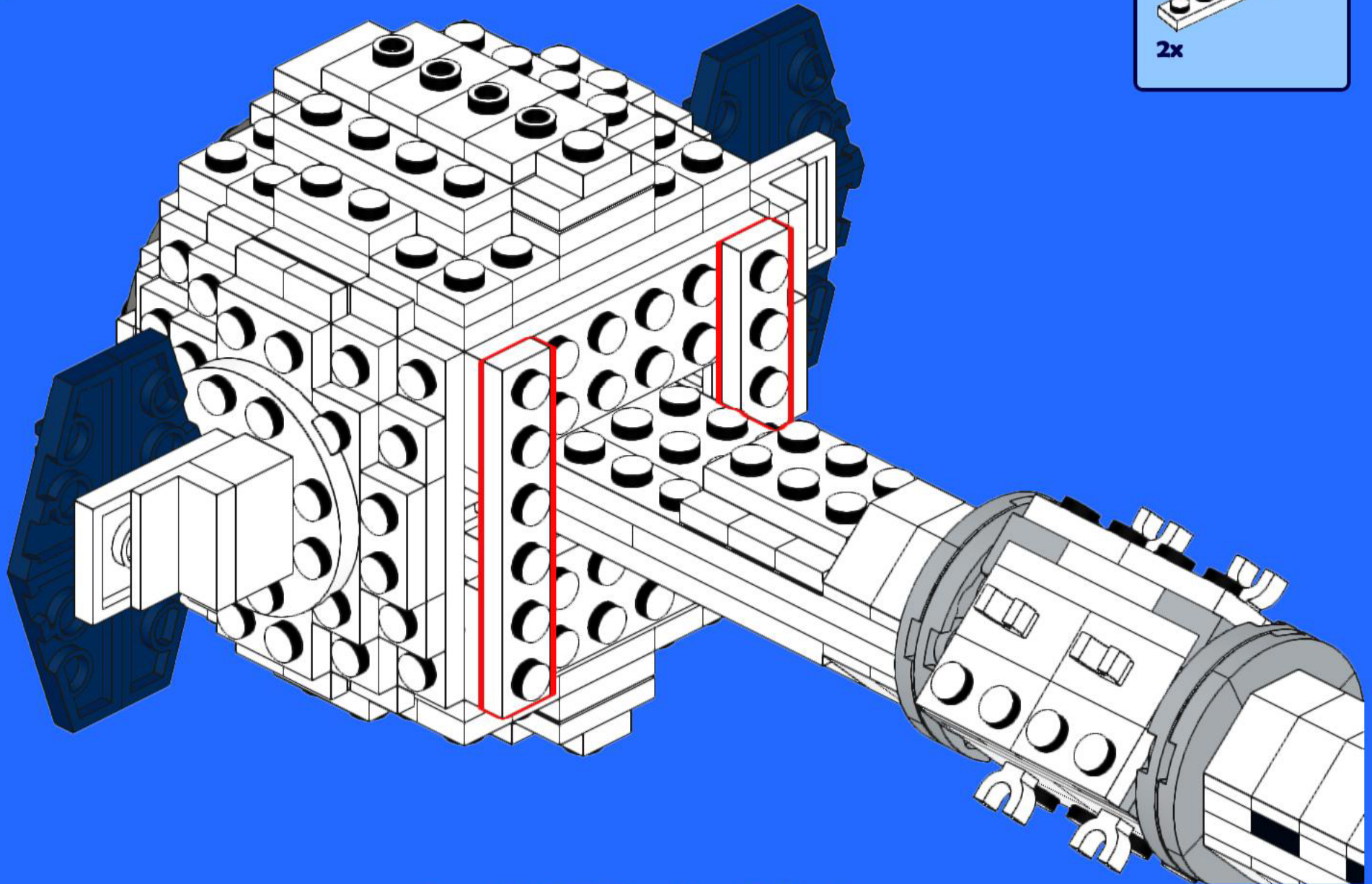
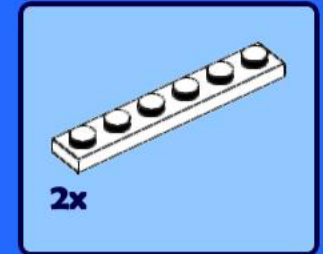
Copyright 2020 by Marc Philippi

60



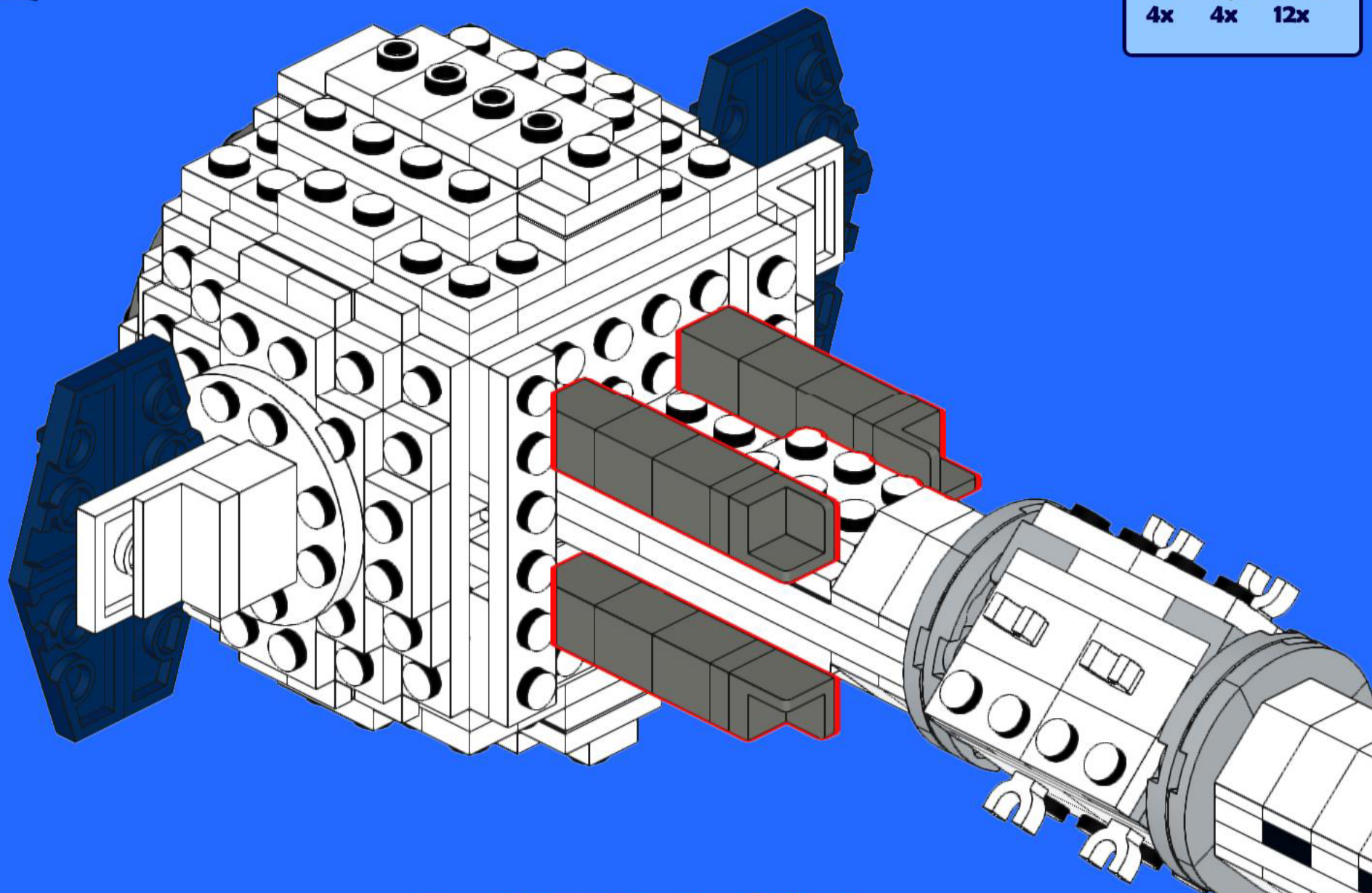
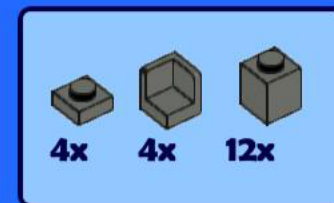
Copyright 2020 by Marc Philippi

61



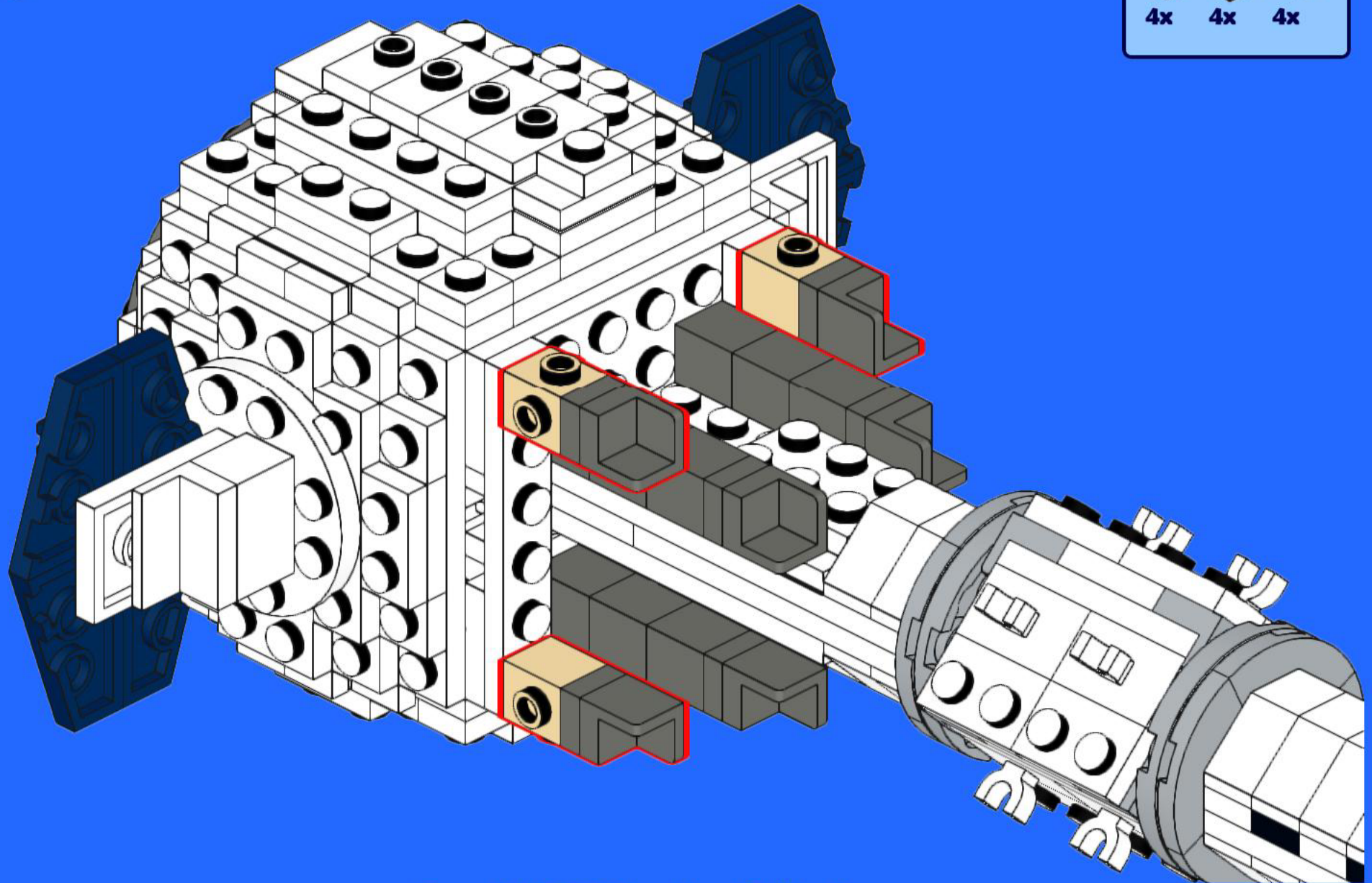
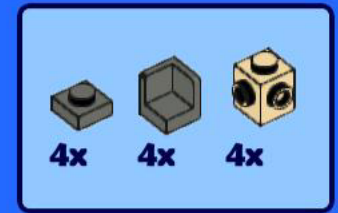
Copyright 2020 by Marc Philippi

62



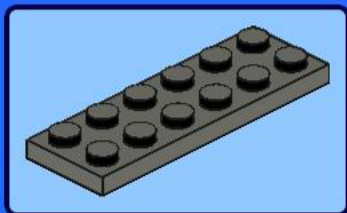
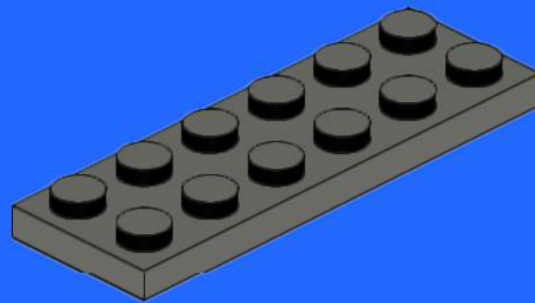
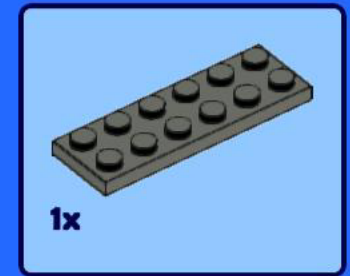
Copyright 2020 by Marc Philippi

63



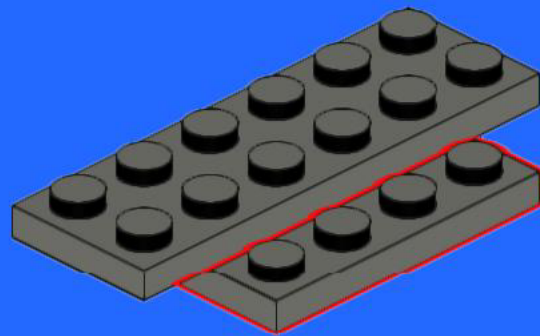
Copyright 2020 by Marc Philippi

64

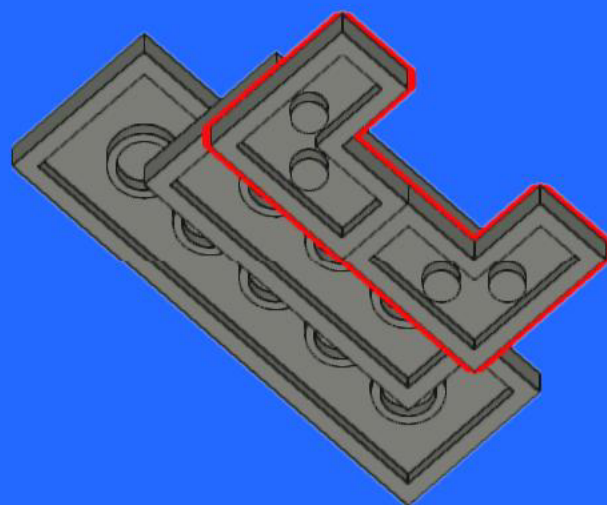


Copyright 2020 by Marc Philippi

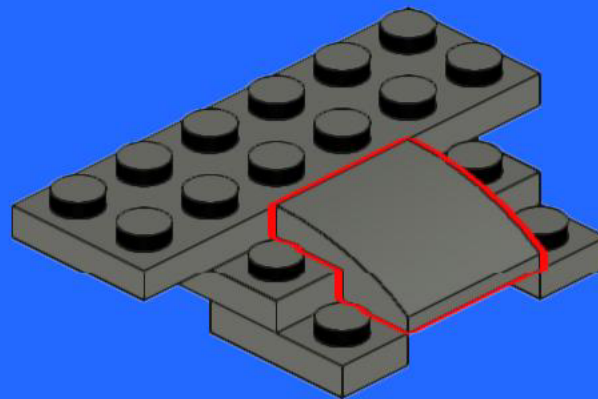
65



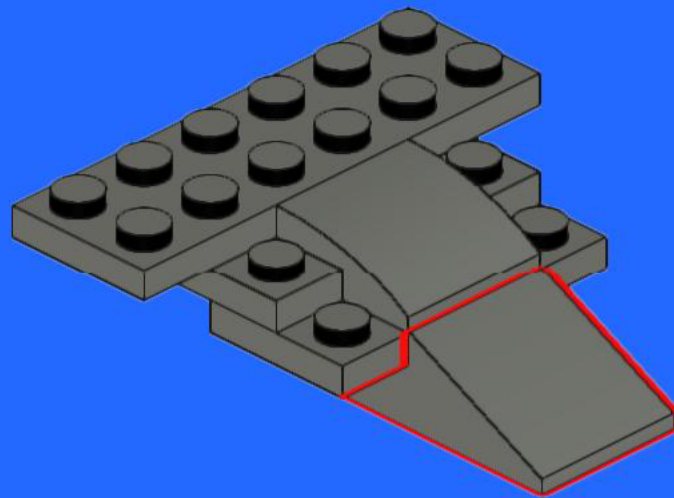
66



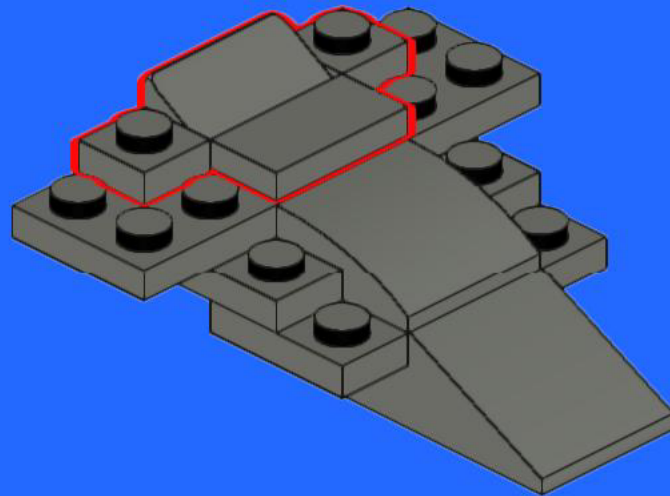
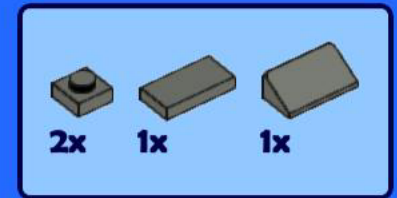
67



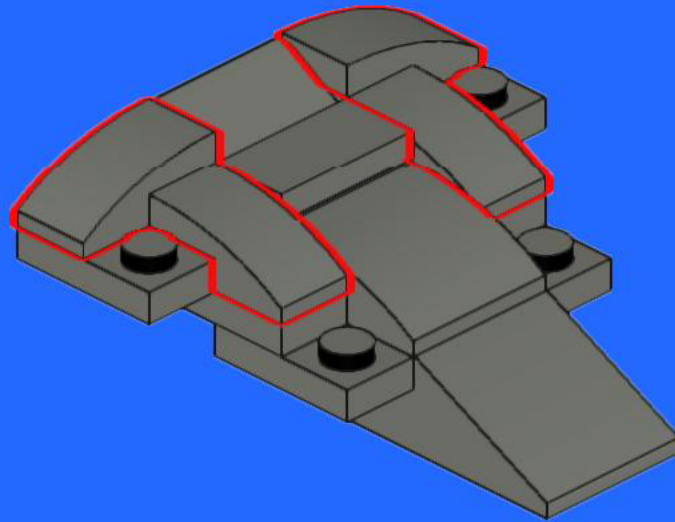
68



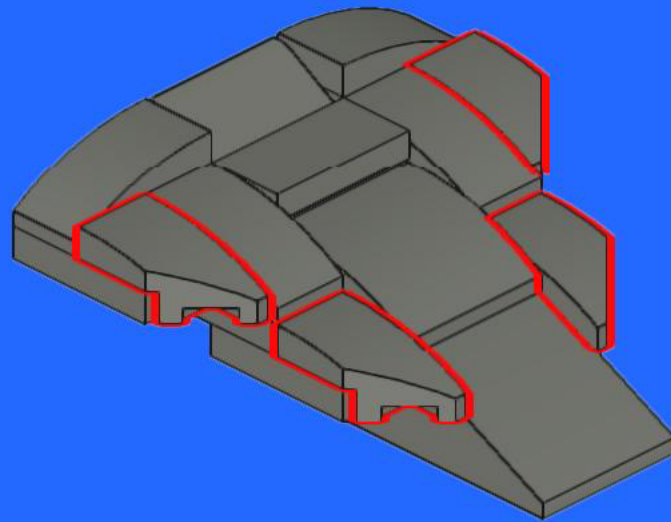
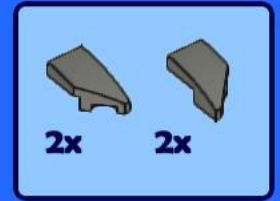
69



70

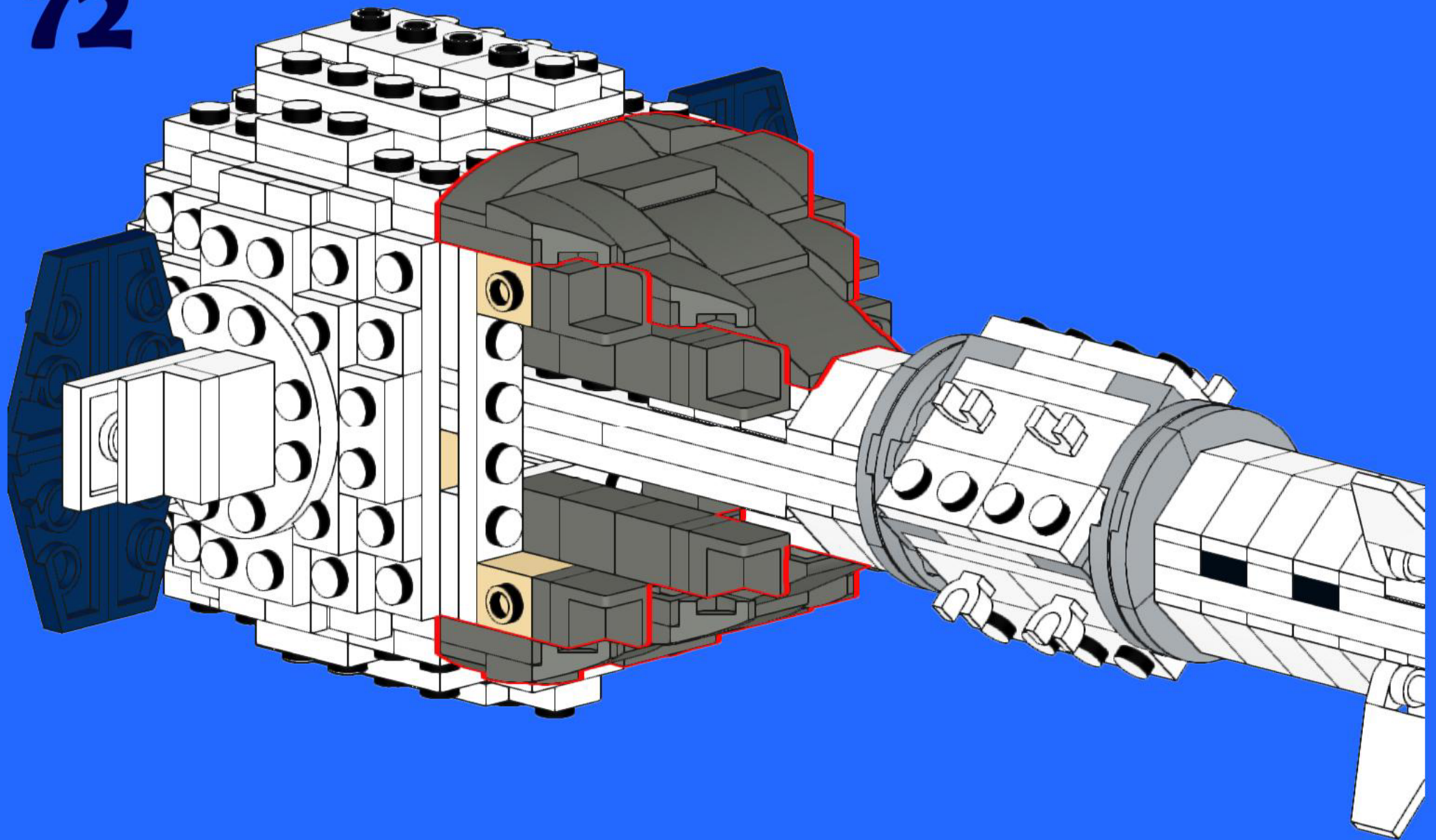


71

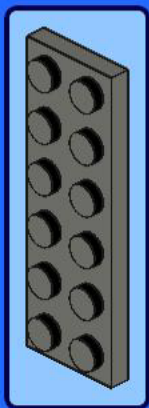
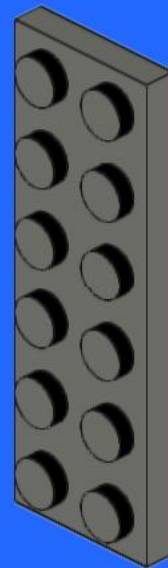
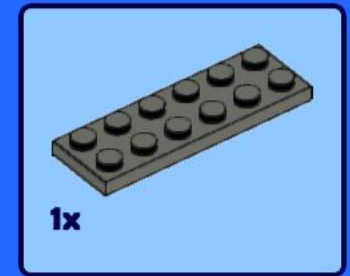


2x

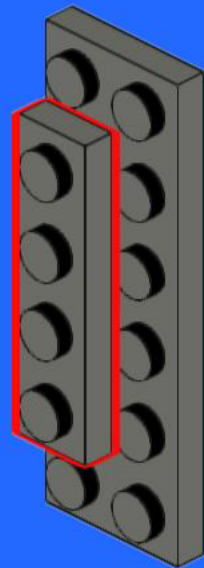
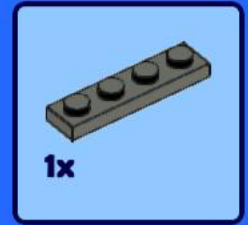
72



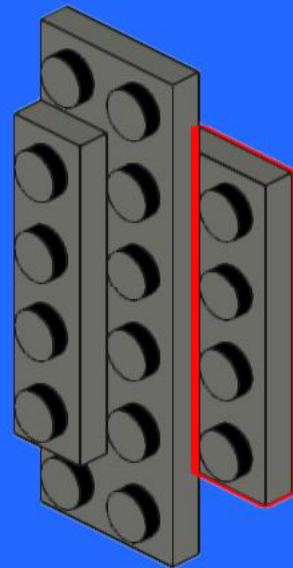
73



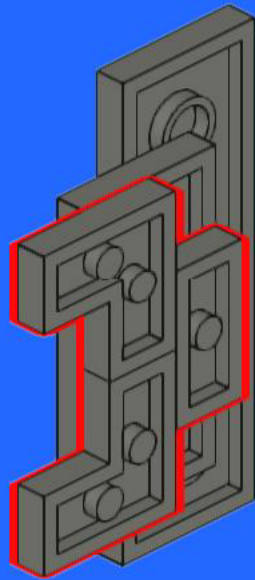
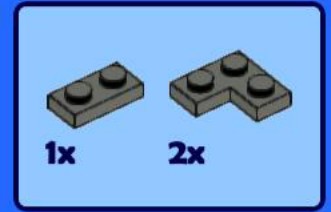
74



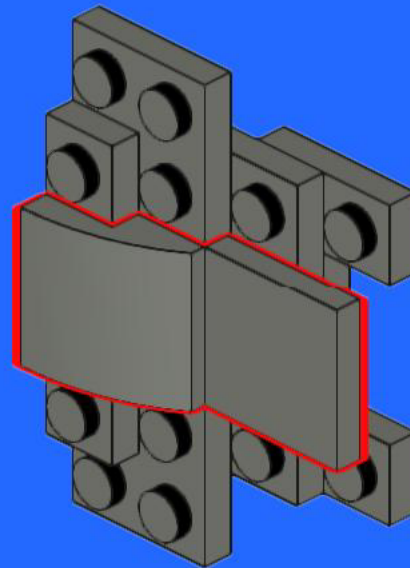
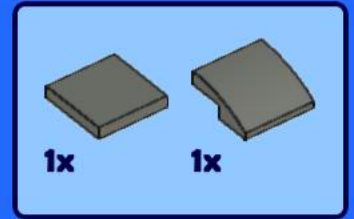
75



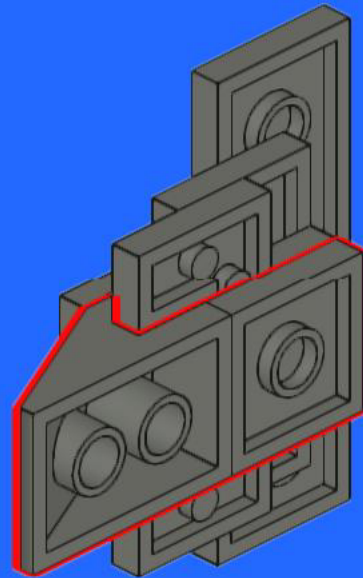
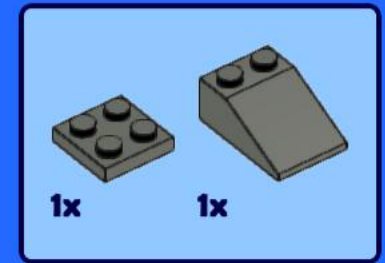
76



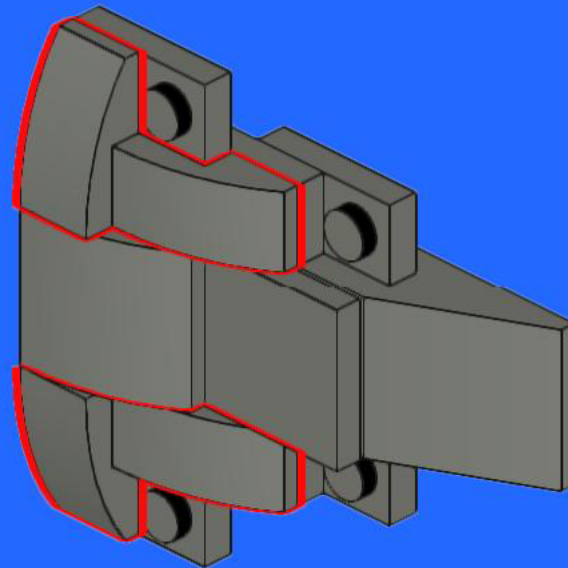
77



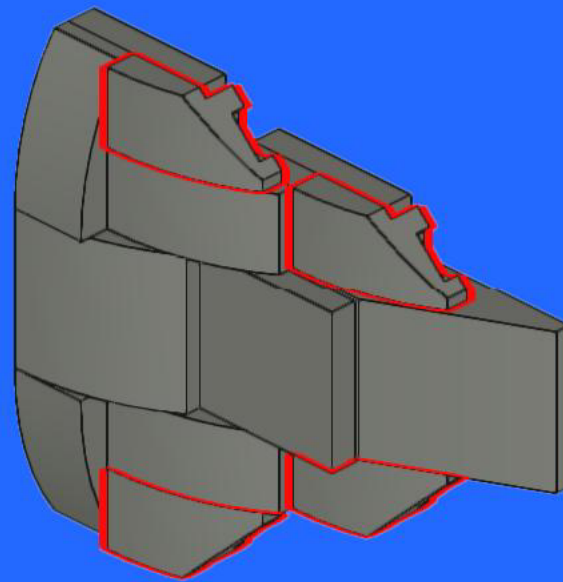
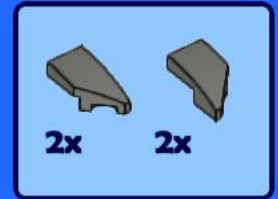
78



79

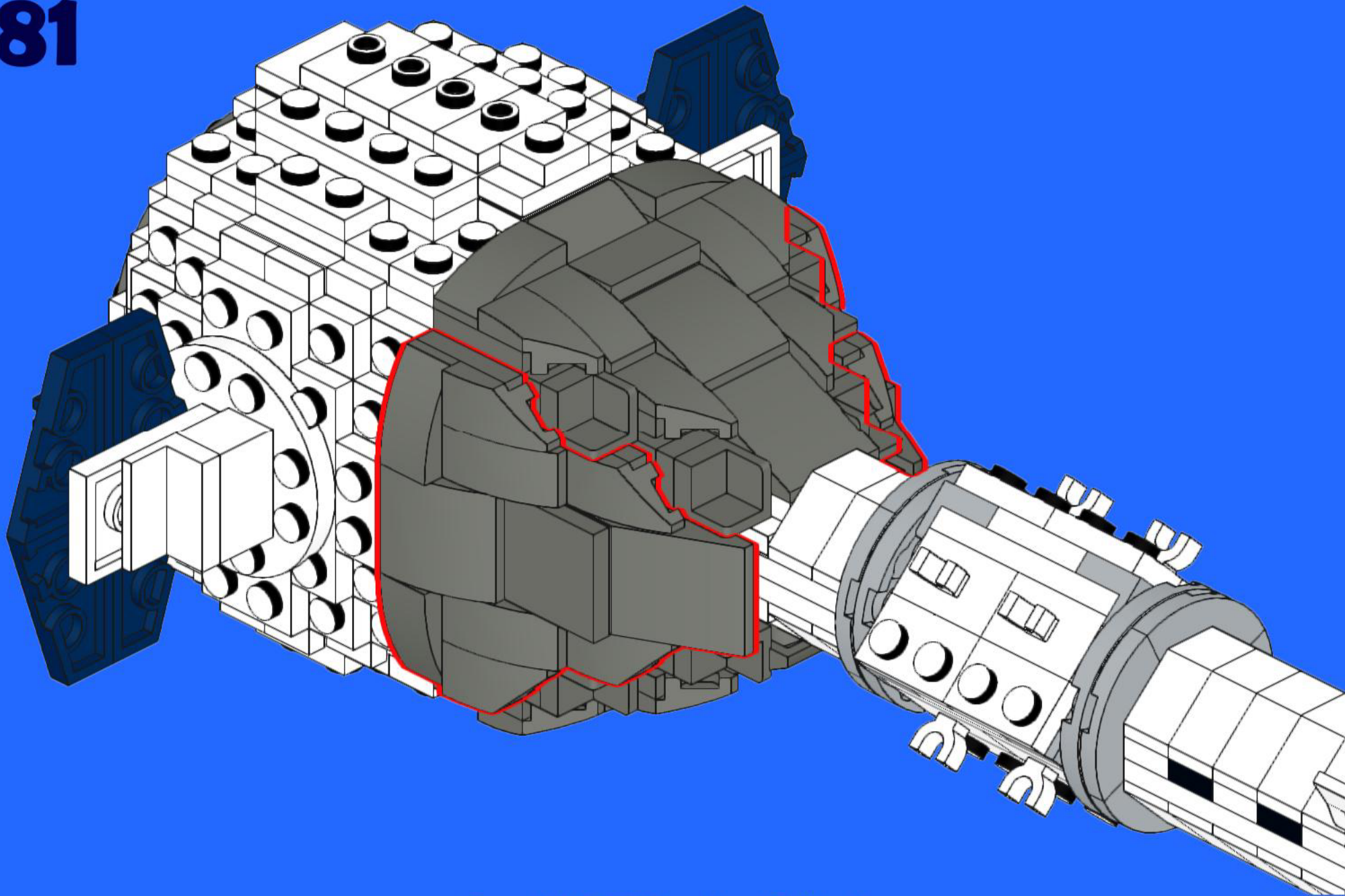


80



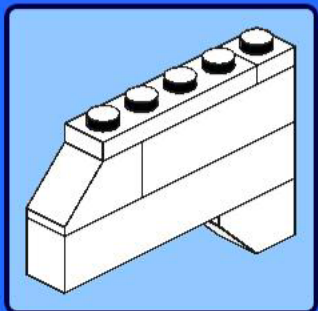
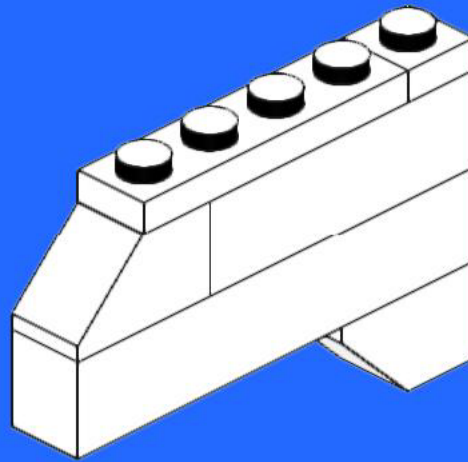
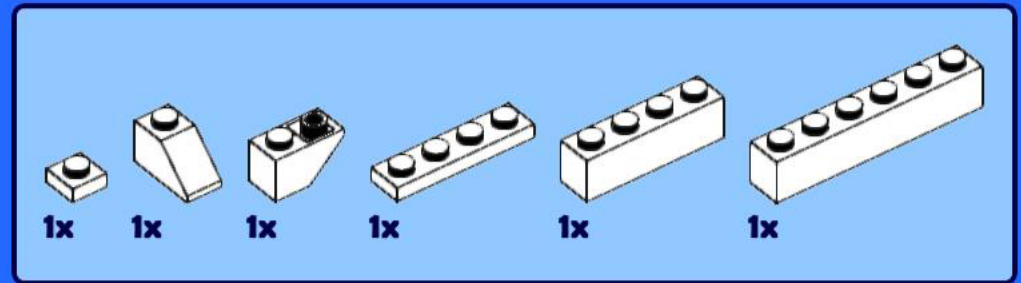
2x

81



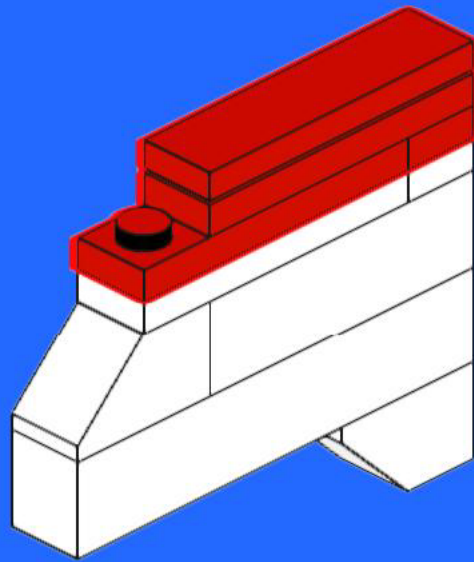
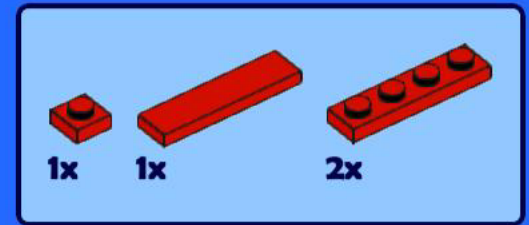
Copyright 2020 by Marc Philippi

82

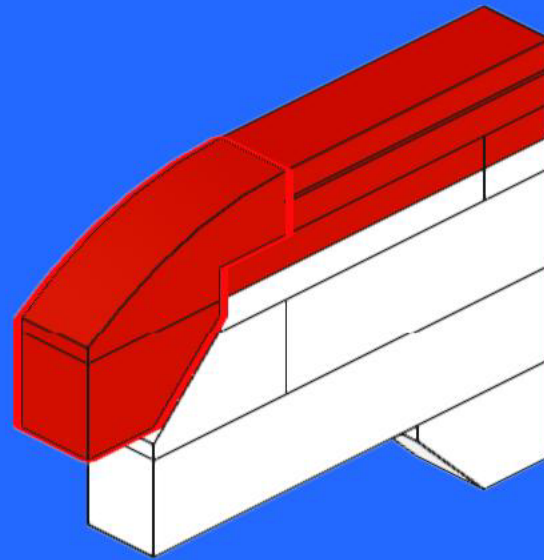
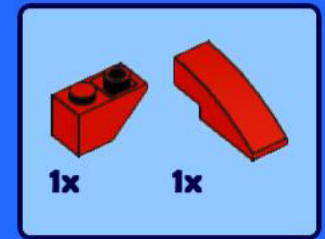


Copyright 2020 by Marc Philippi

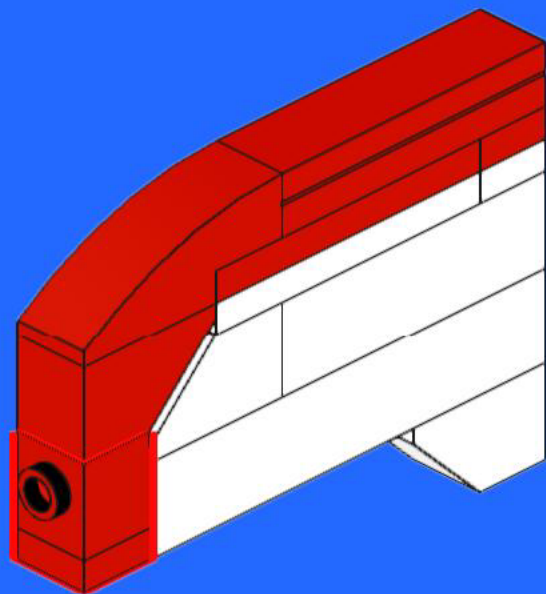
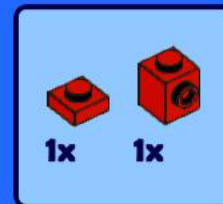
83



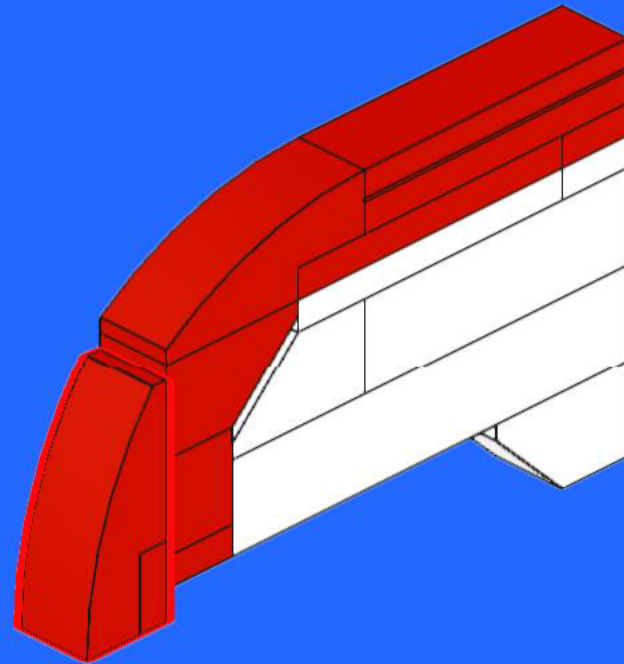
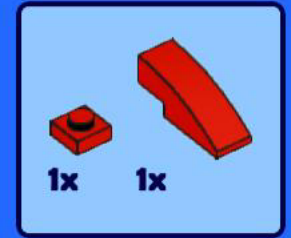
84



85

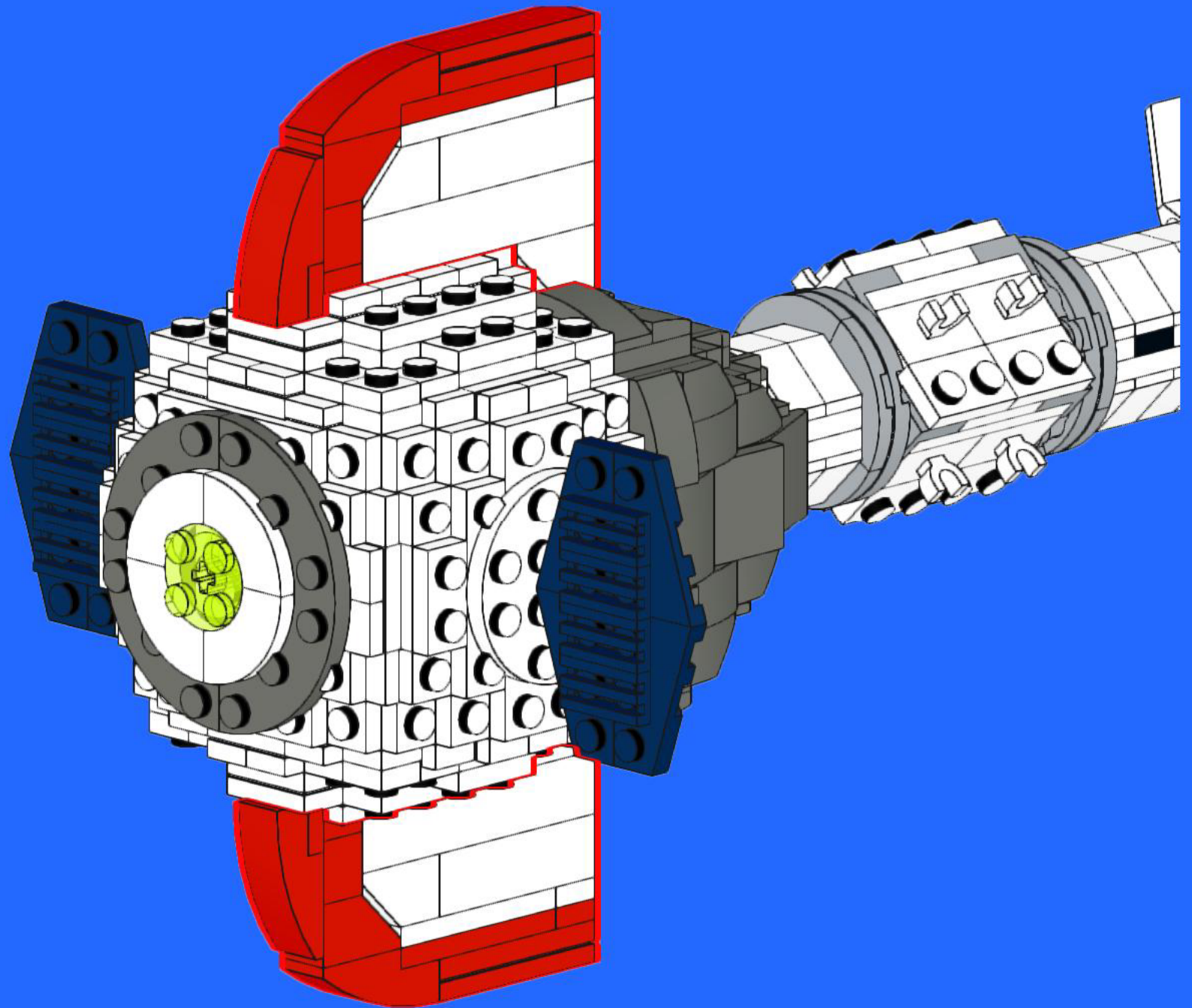


86



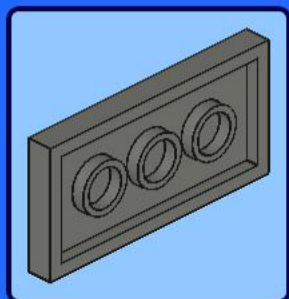
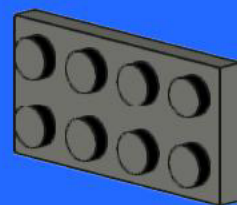
2x

87

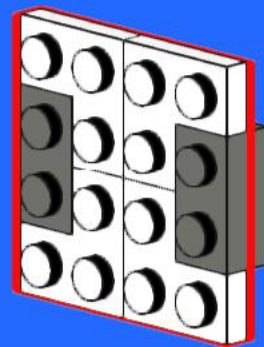
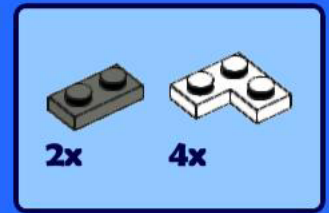


Copyright 2020 by Marc Philippi

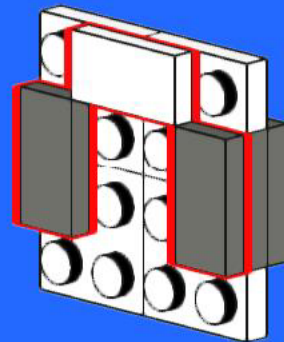
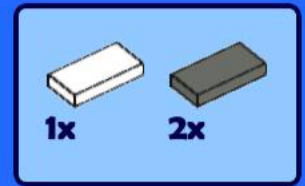
88



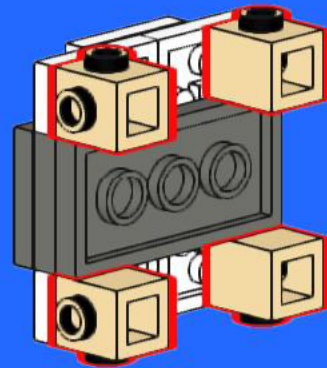
89



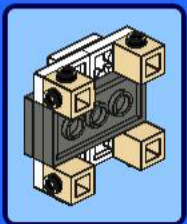
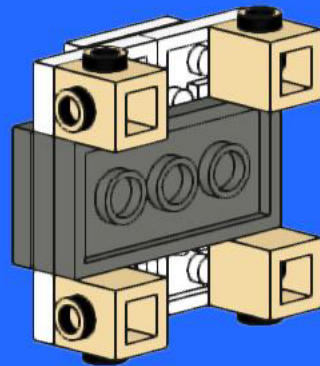
90



91

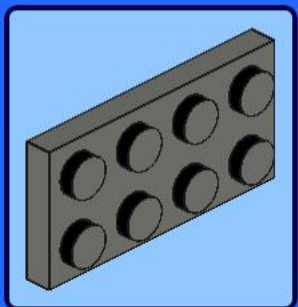
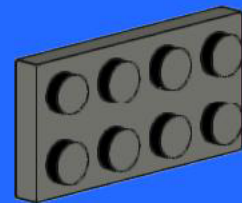


92

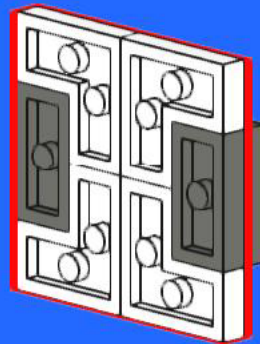
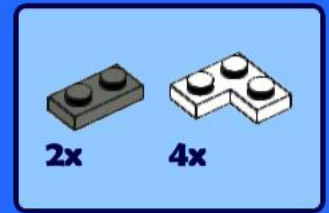


Copyright 2020 by Marc Philippi

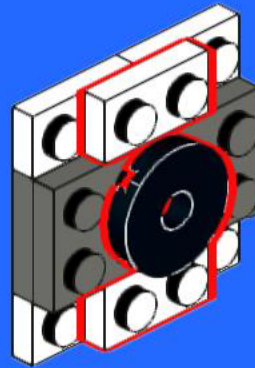
93



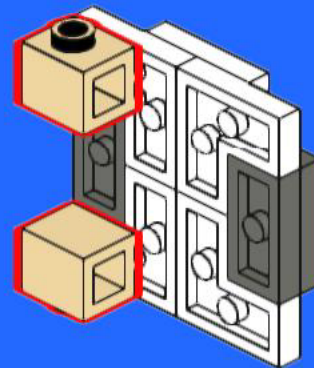
94



95

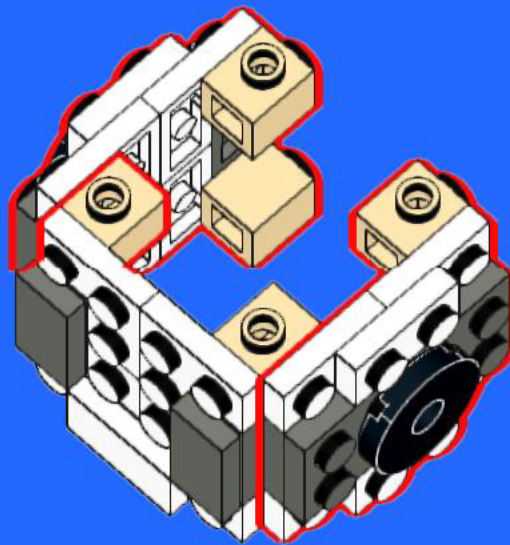


96

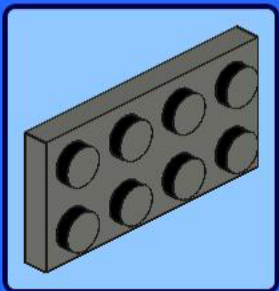
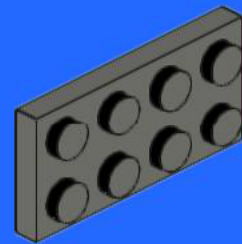


2x

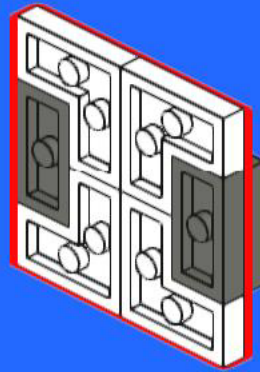
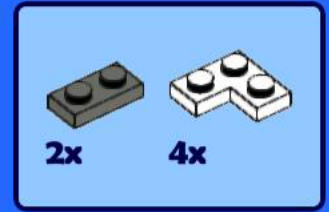
97



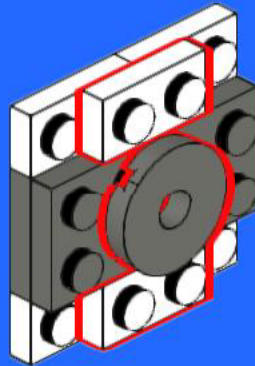
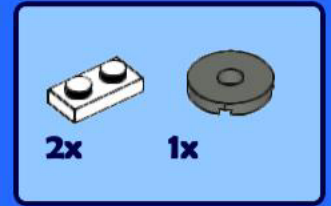
98



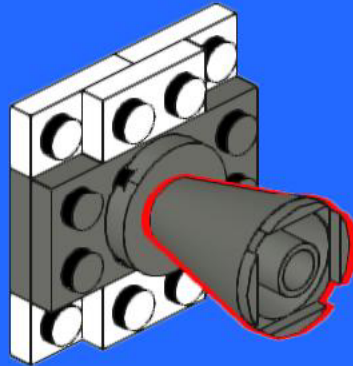
99



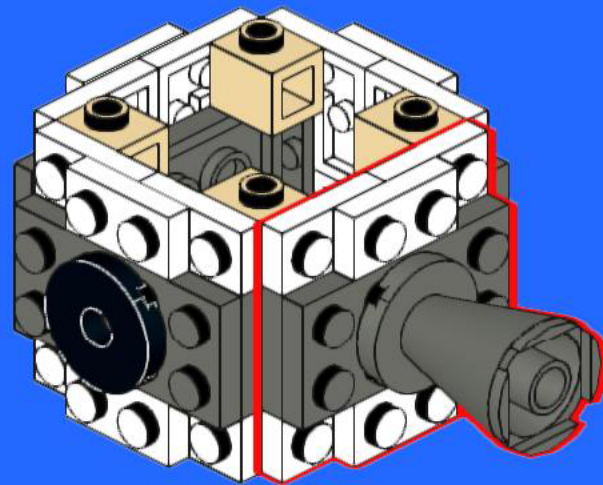
100



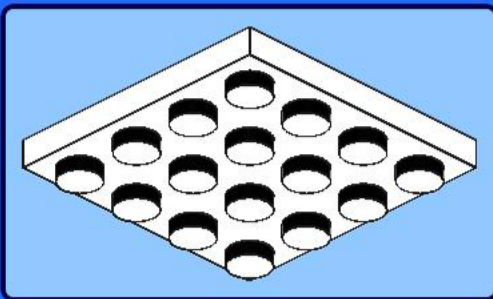
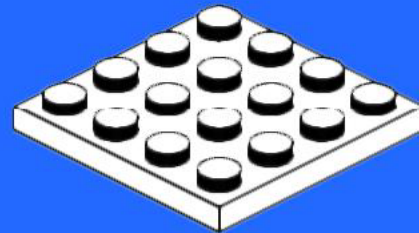
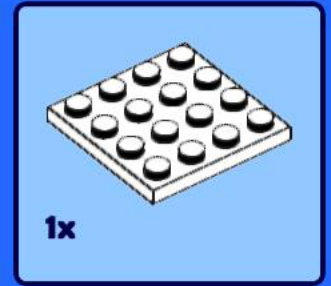
101



102

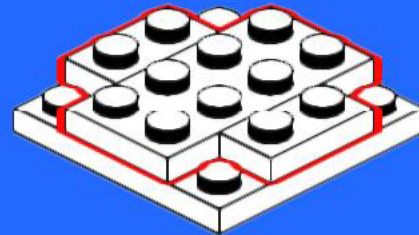
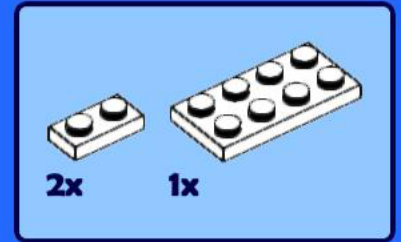


103

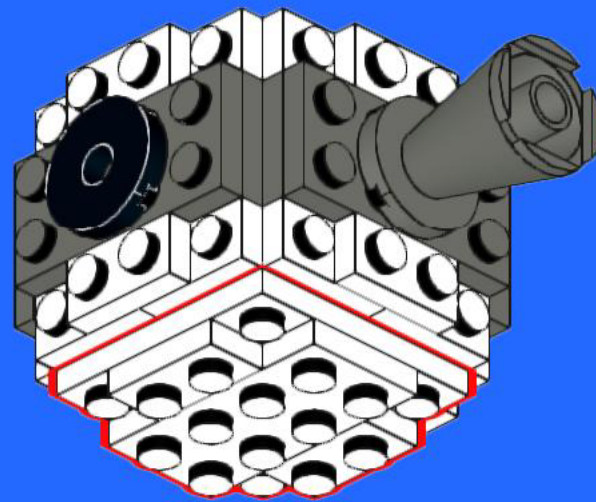


Copyright 2020 by Marc Philippi

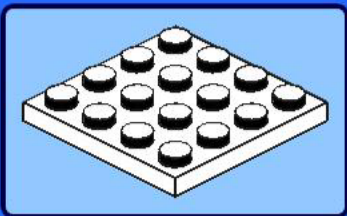
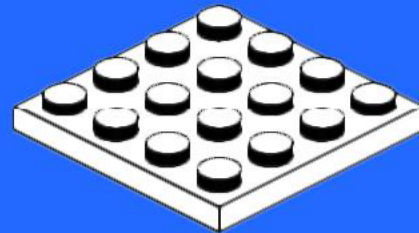
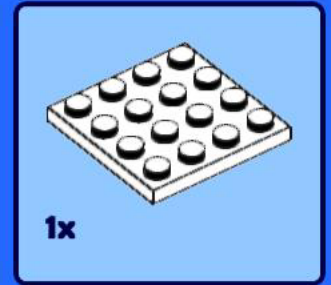
104



105

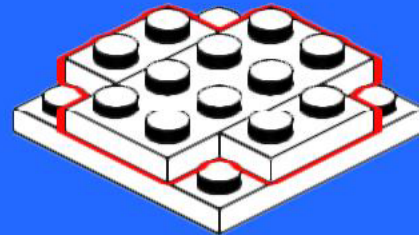
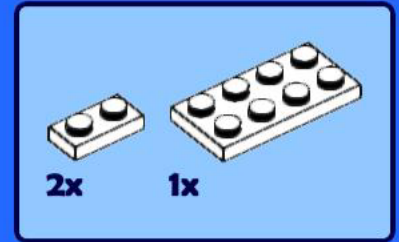


106

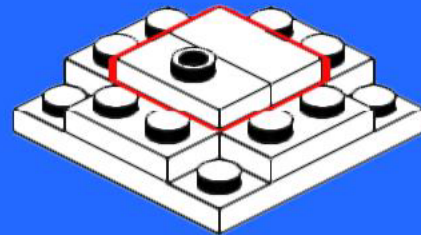
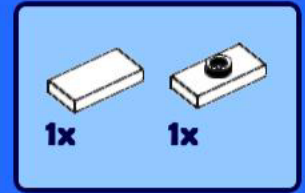


Copyright 2020 by Marc Philippi

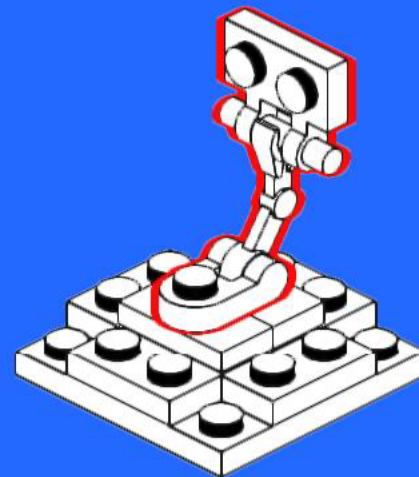
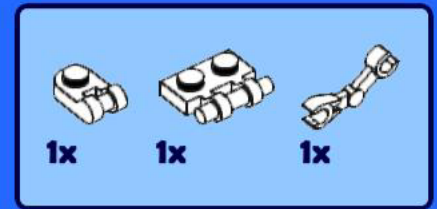
107



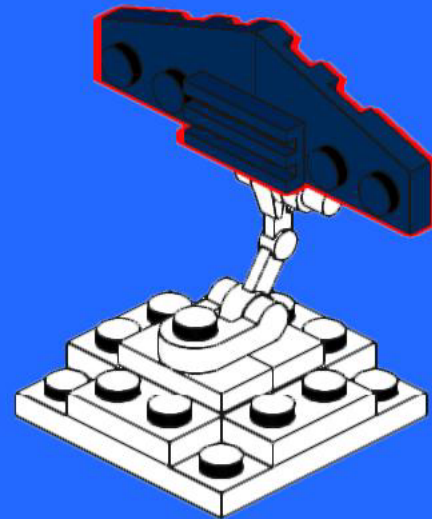
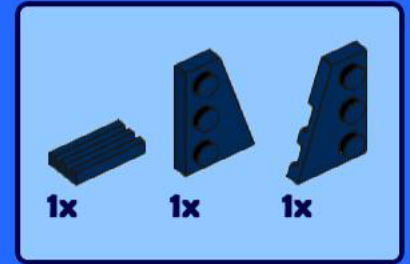
108



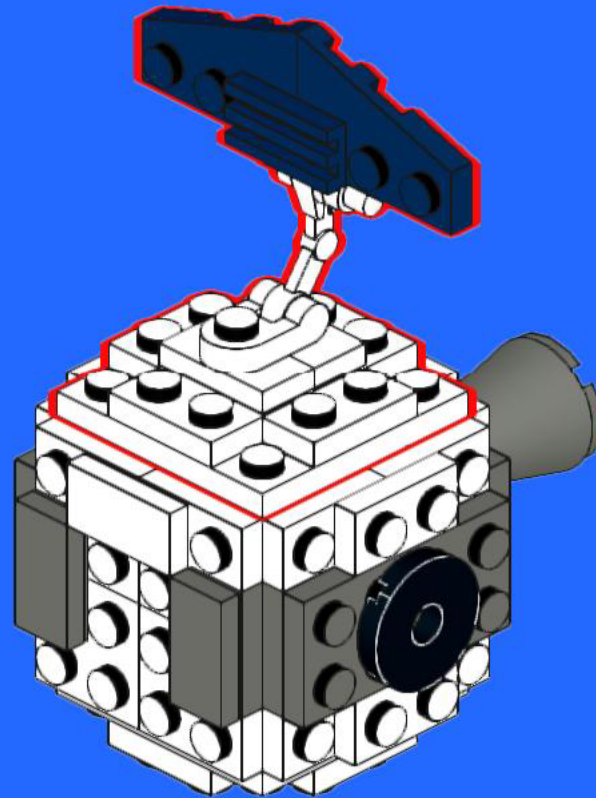
109



110

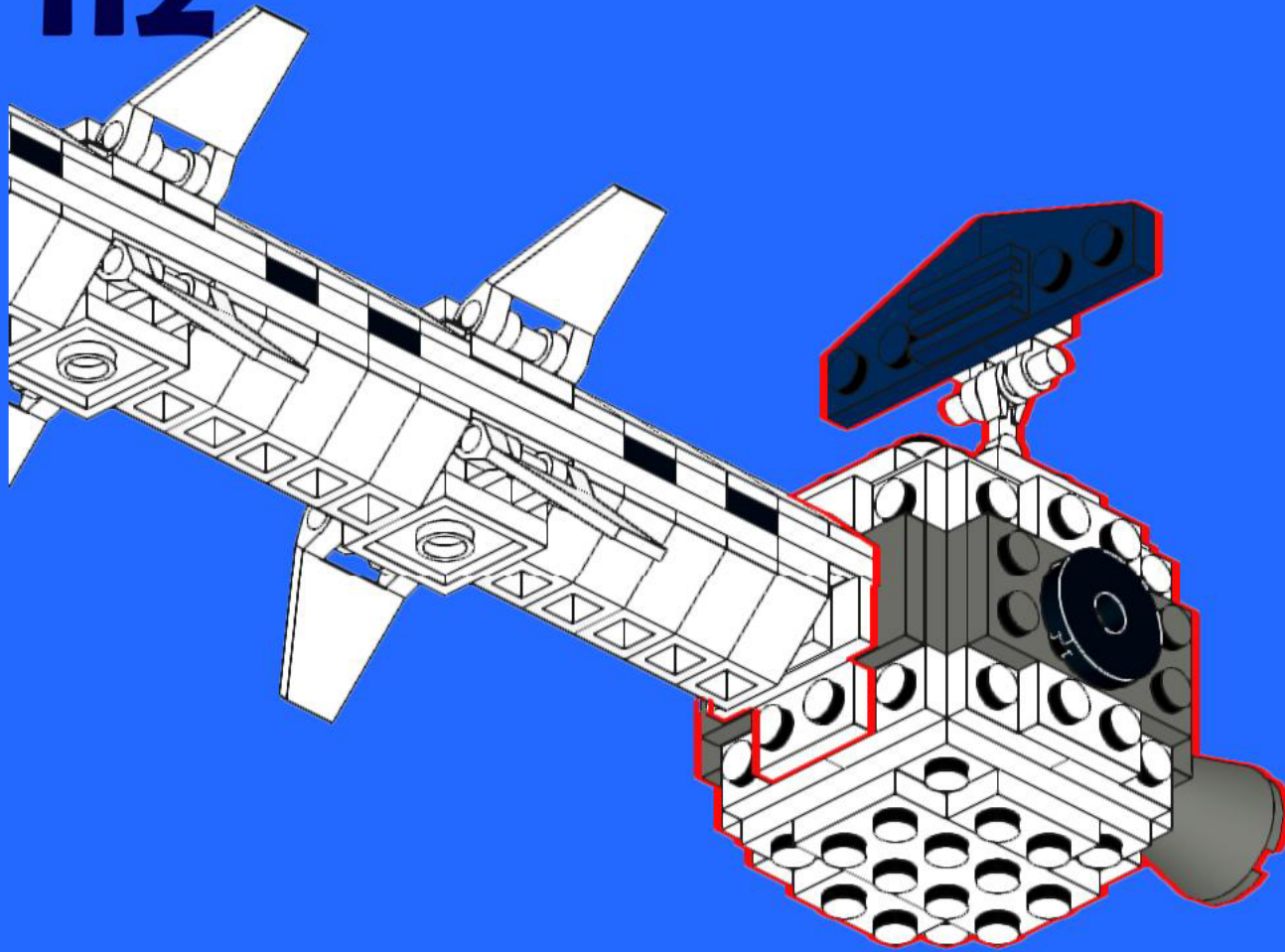


111

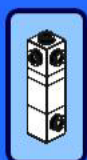
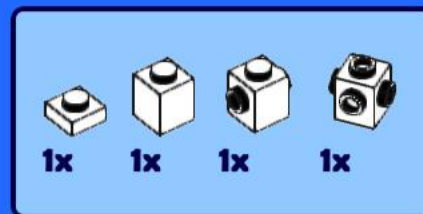


Copyright 2020 by Marc Philippi

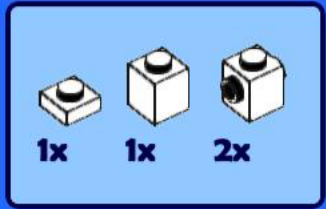
112



113



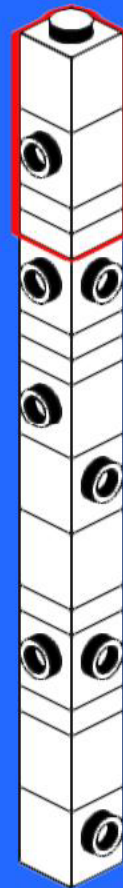
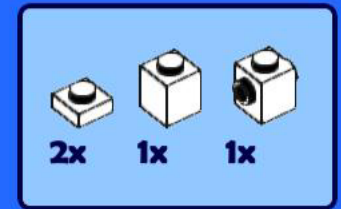
114



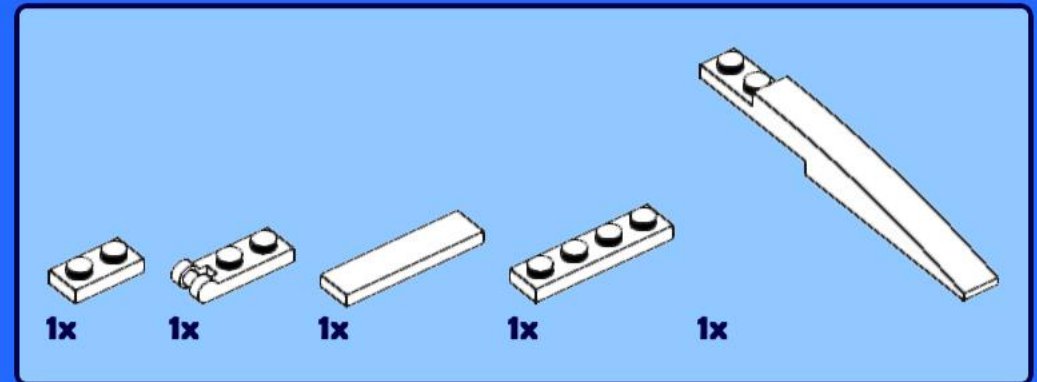
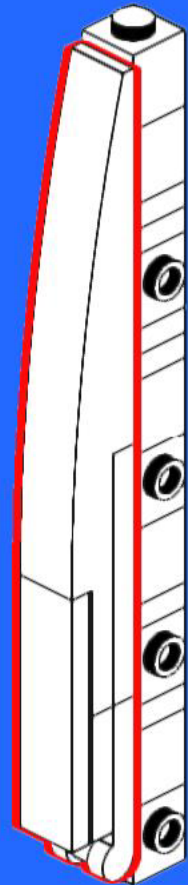
115



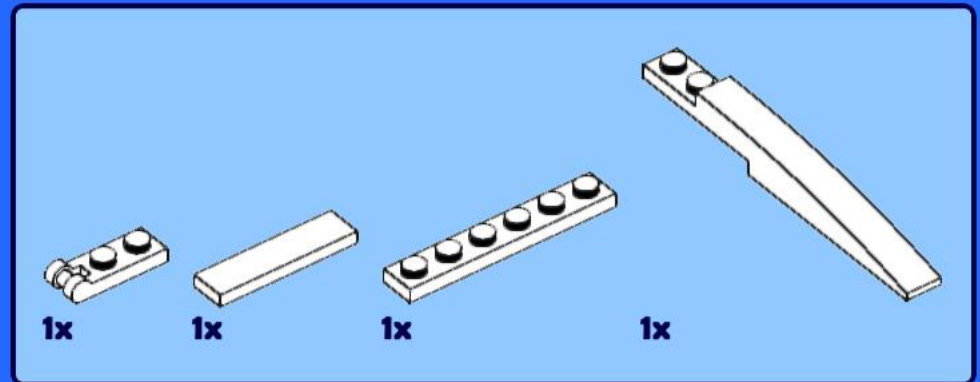
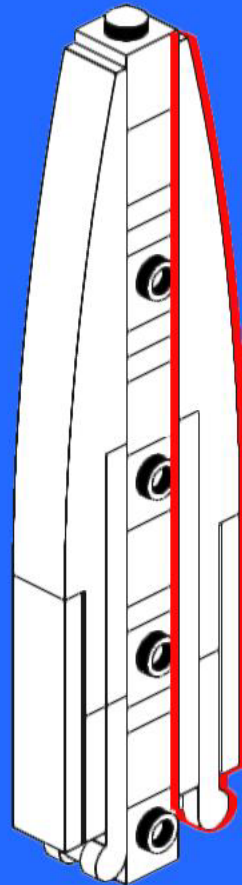
116



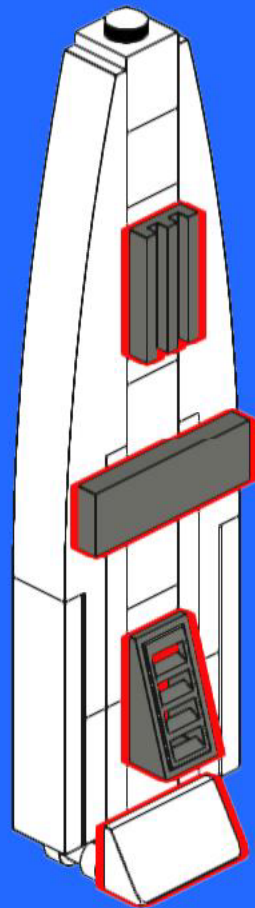
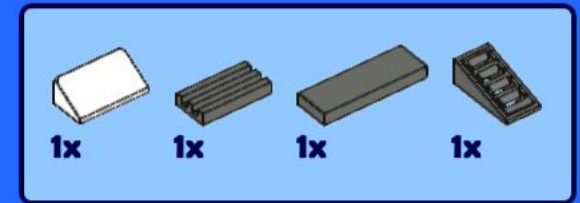
117



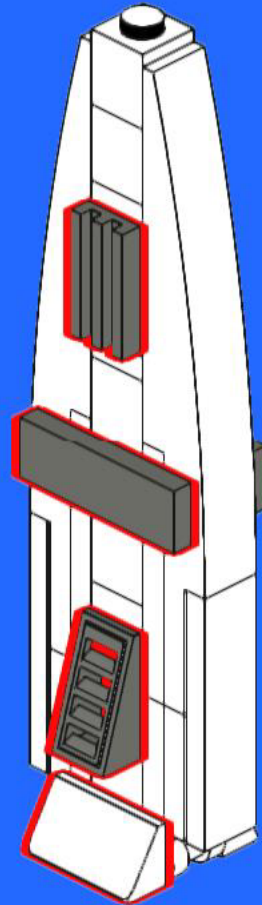
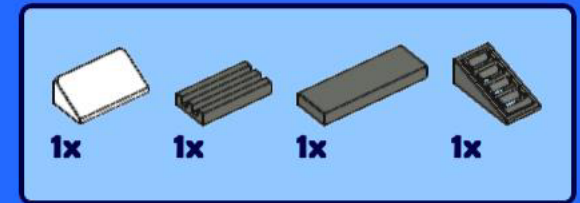
118



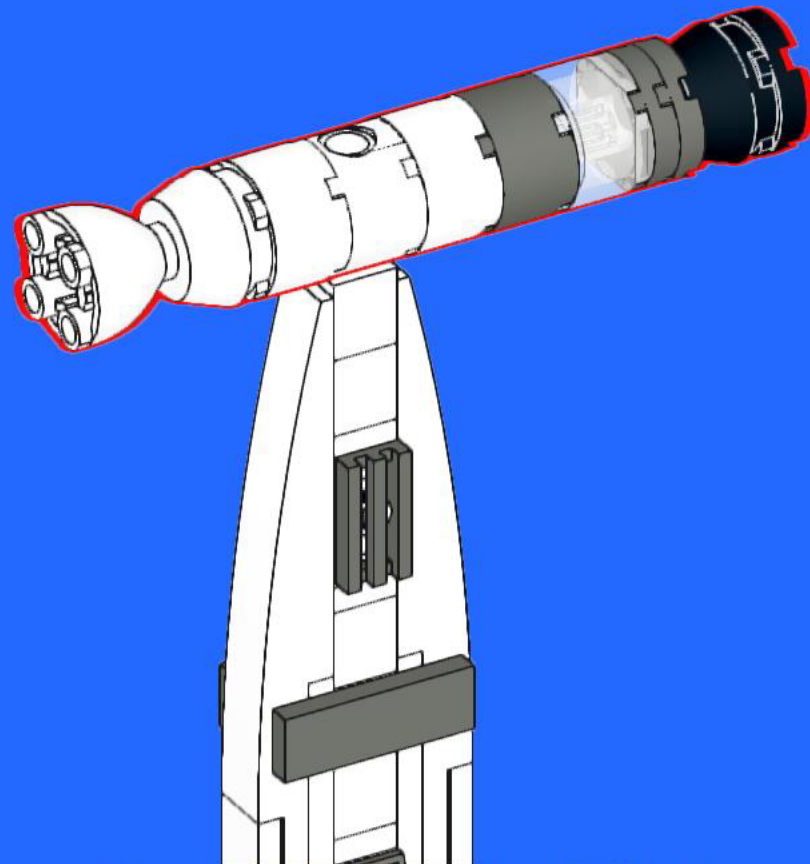
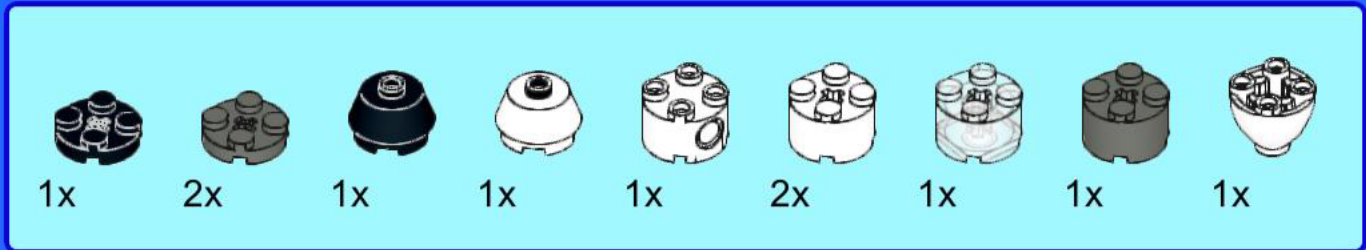
119



120

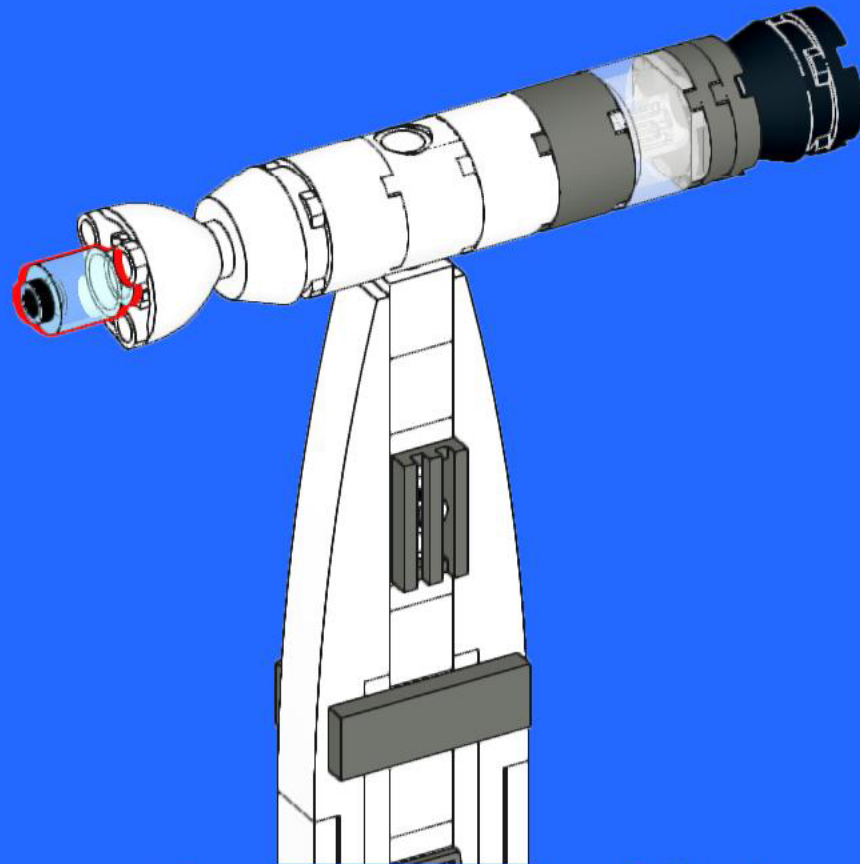


121



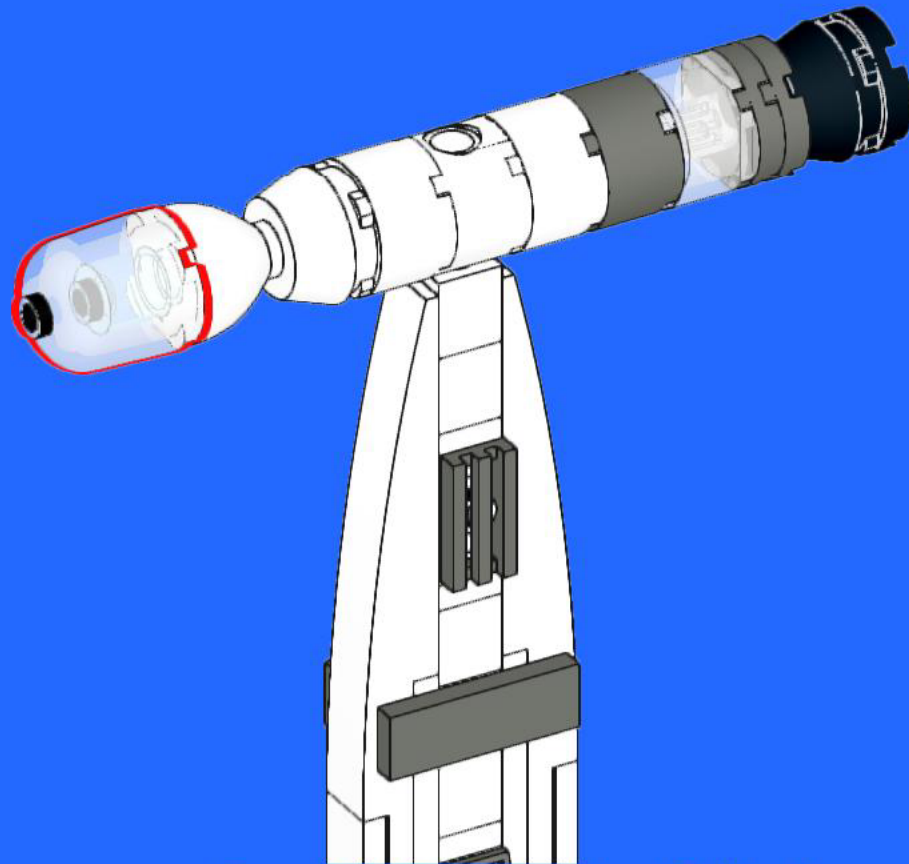
Copyright 2020 by Marc Philippi

122



Copyright 2020 by Marc Philippi

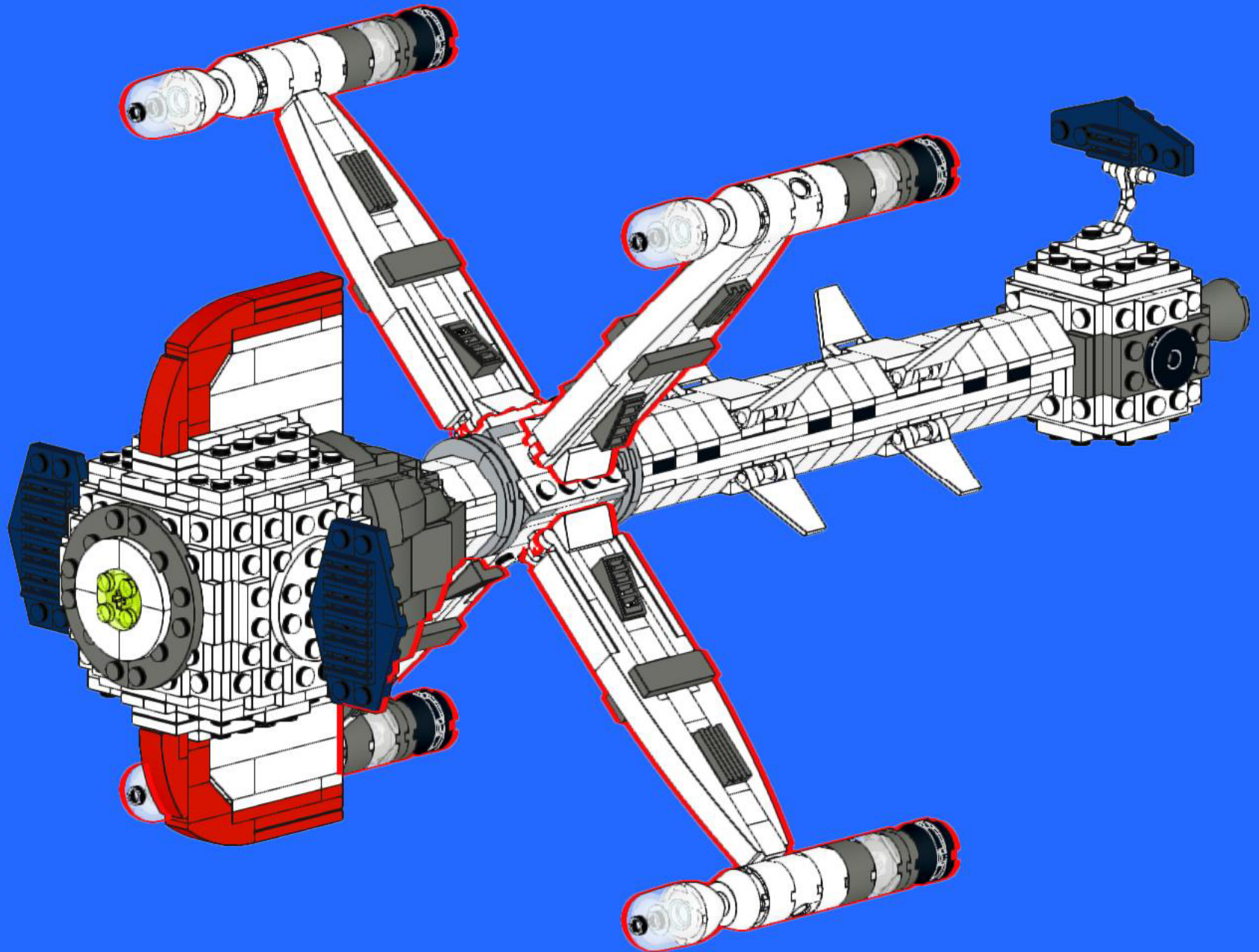
123



4x

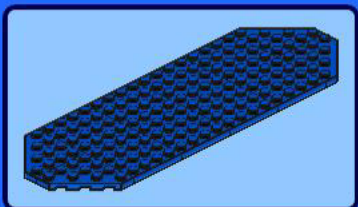
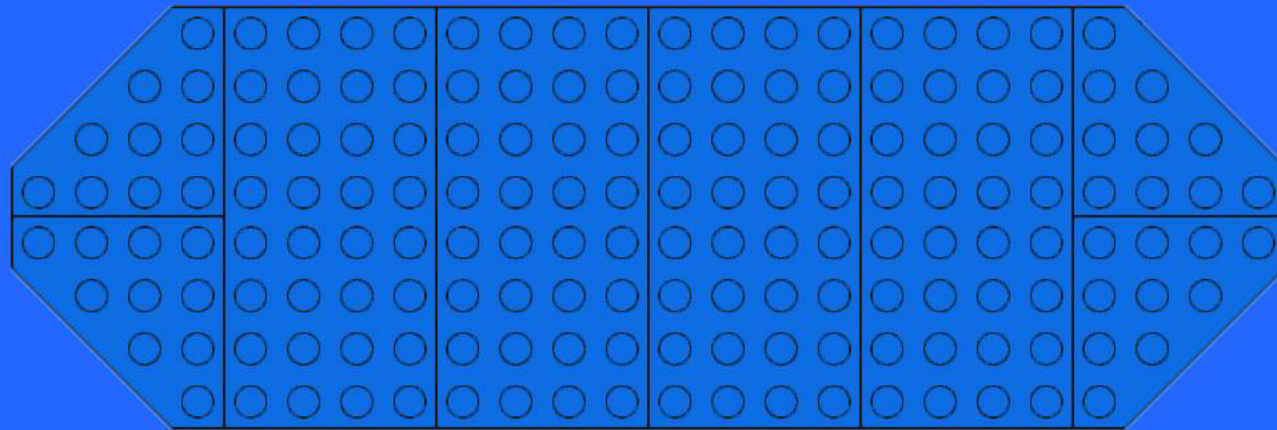
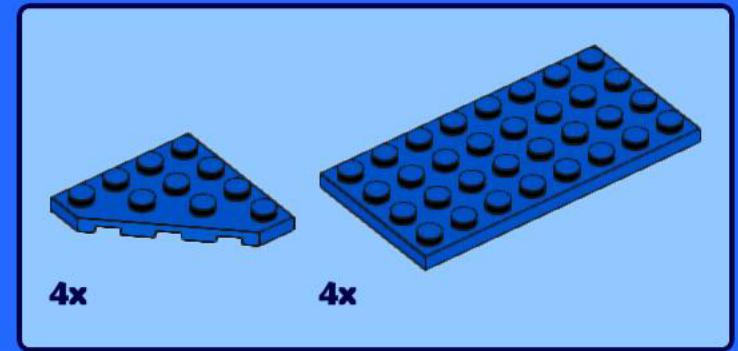
Copyright 2020 by Marc Philippi

124



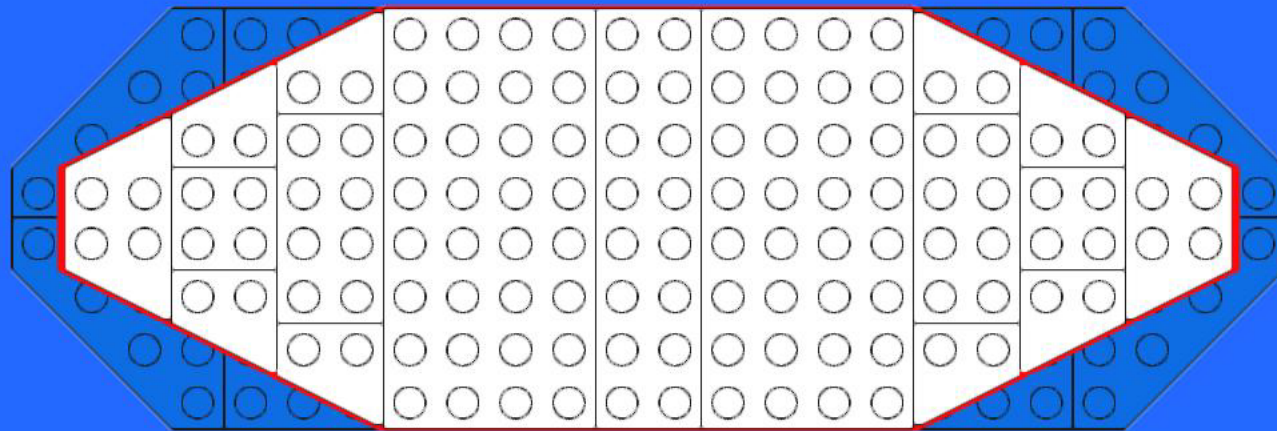
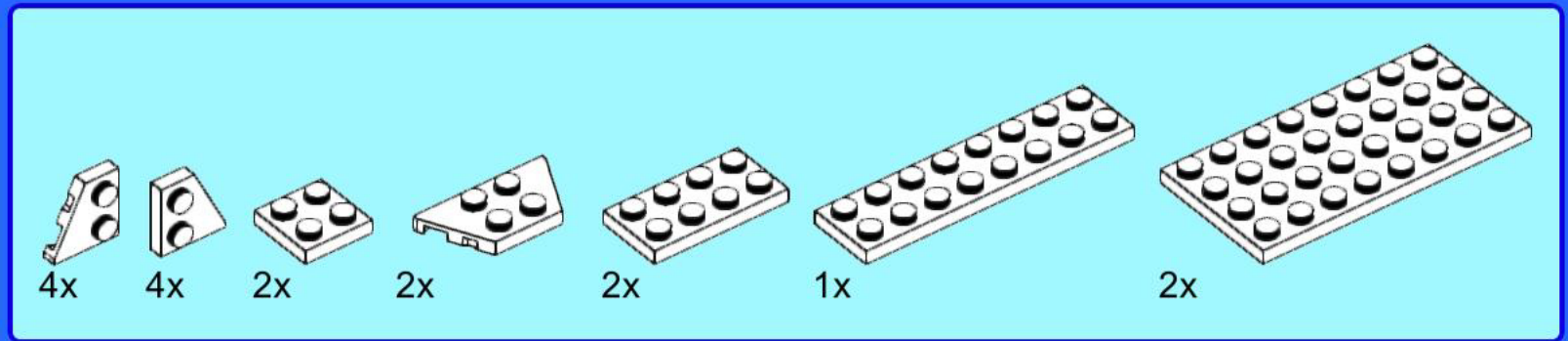
Copyright 2020 by Marc Philippi

125

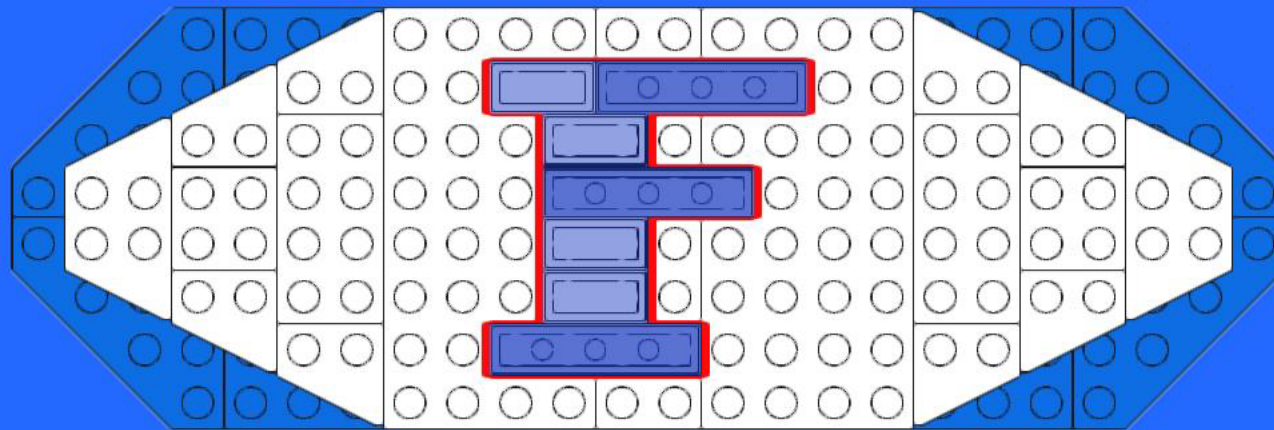
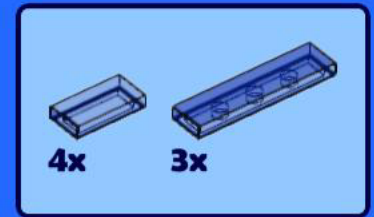


Copyright 2020 by Marc Philippi

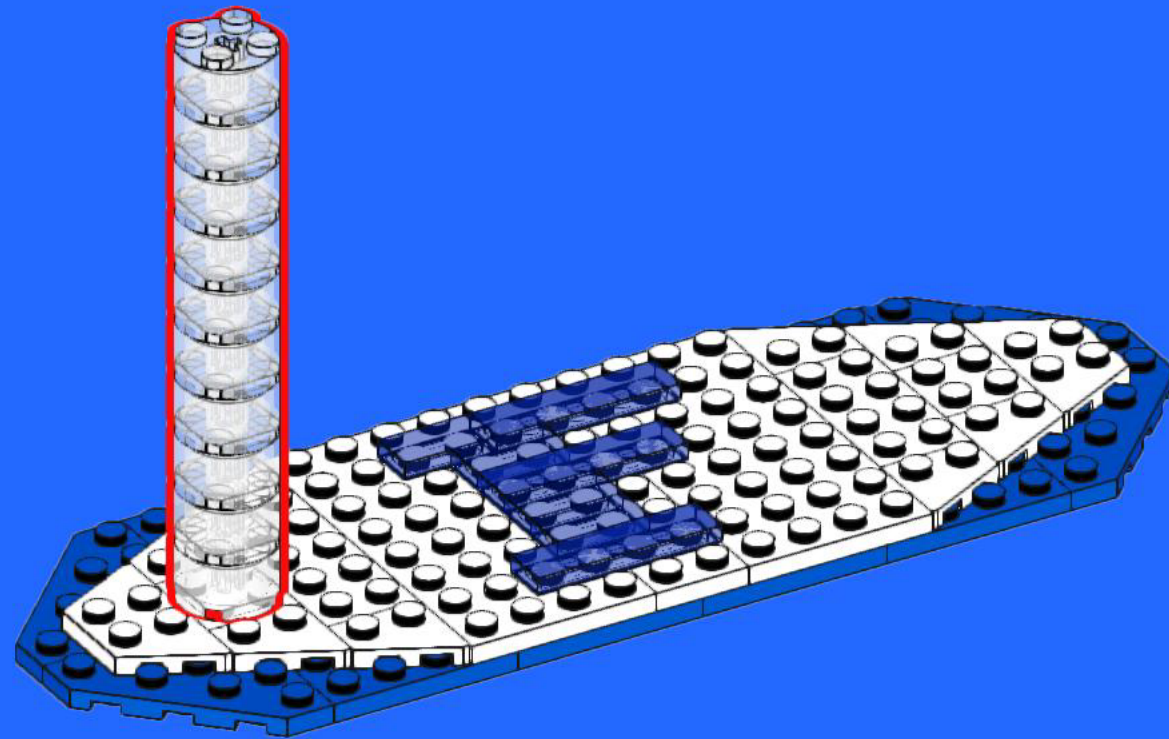
126



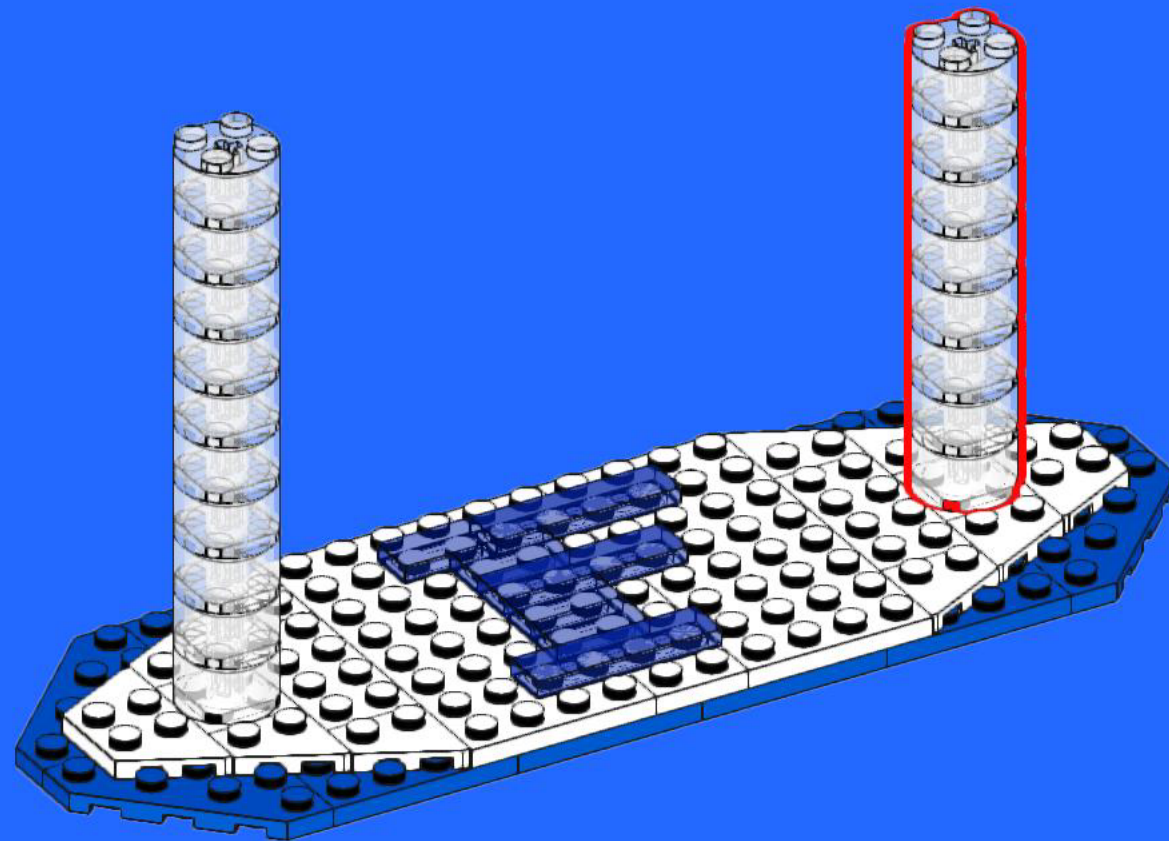
127



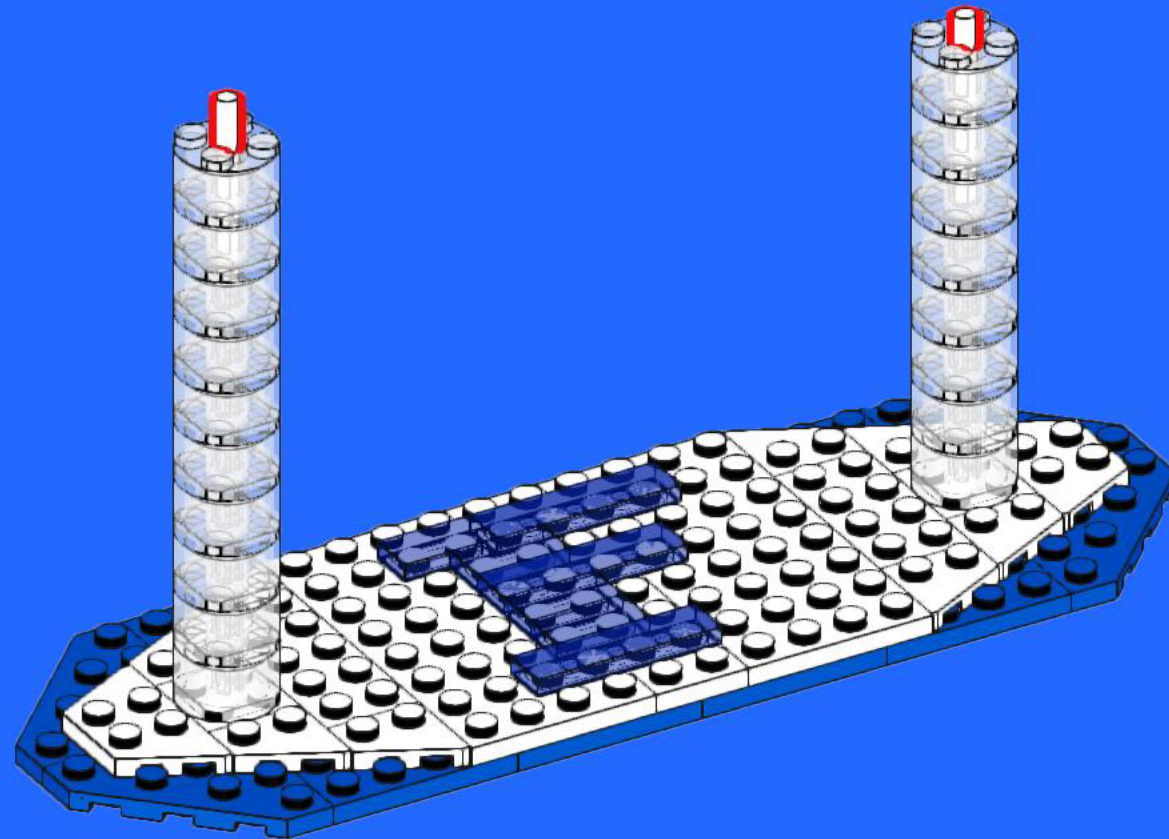
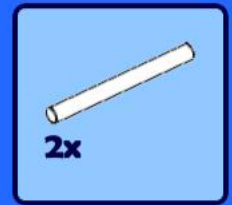
128



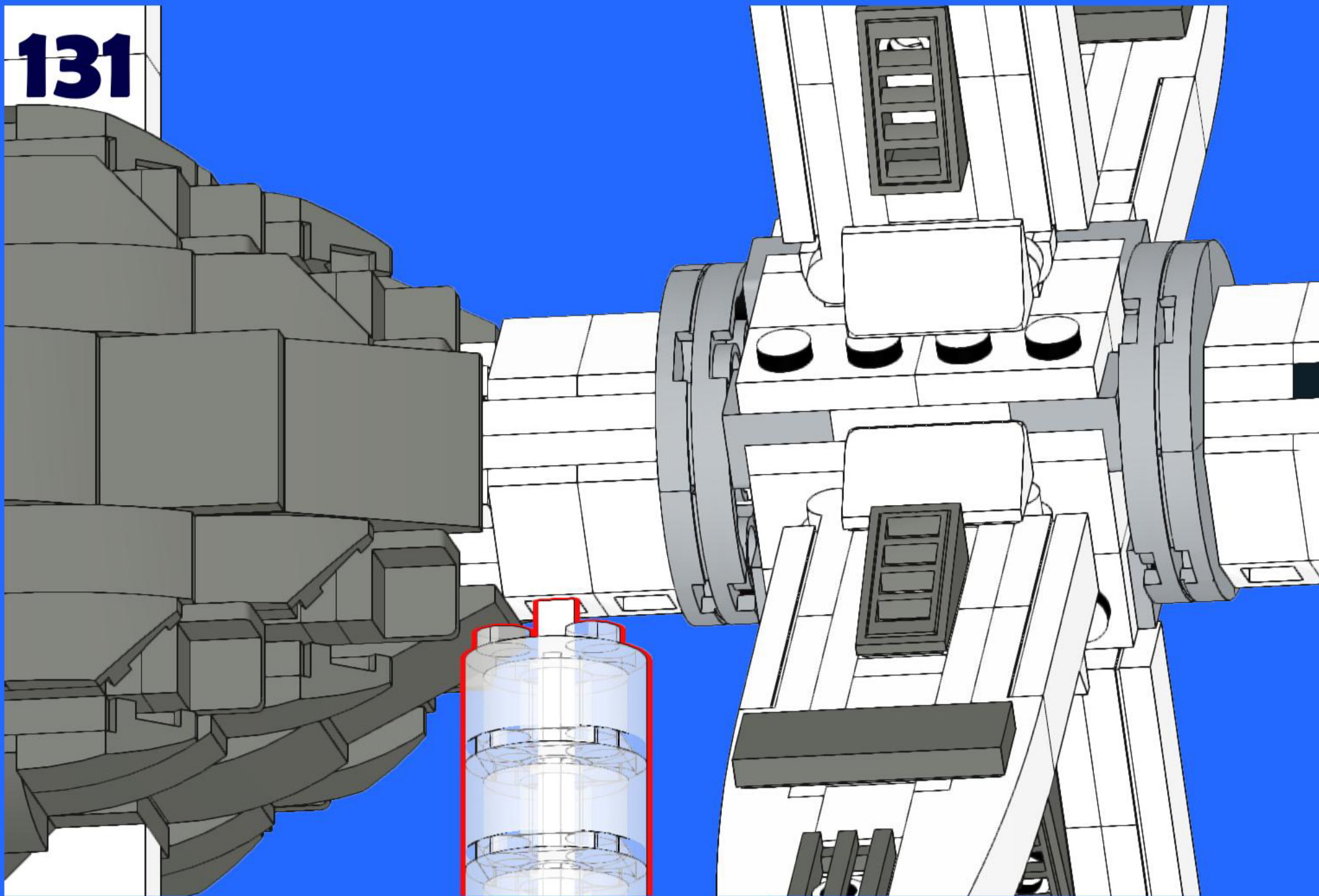
129



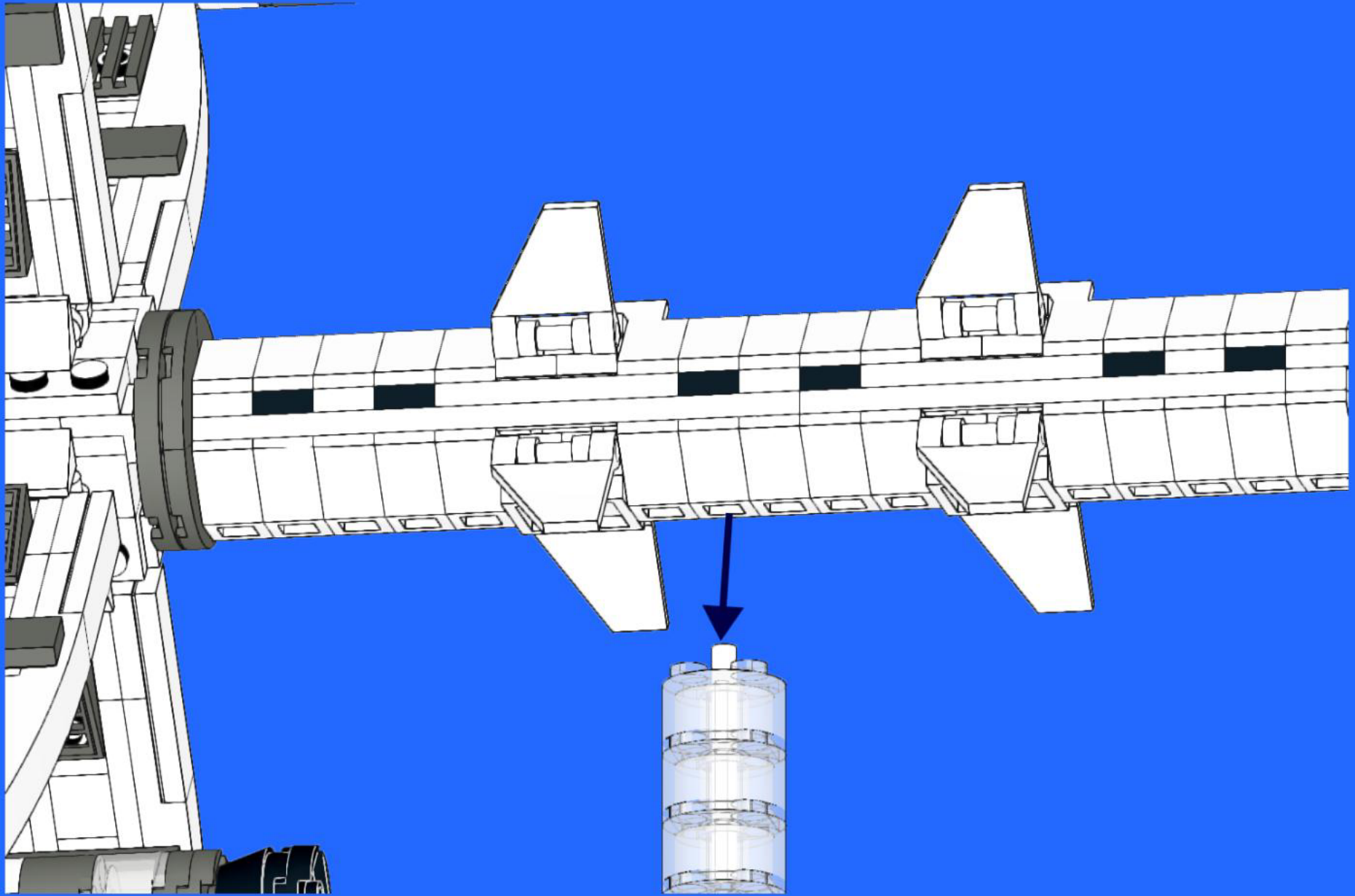
130



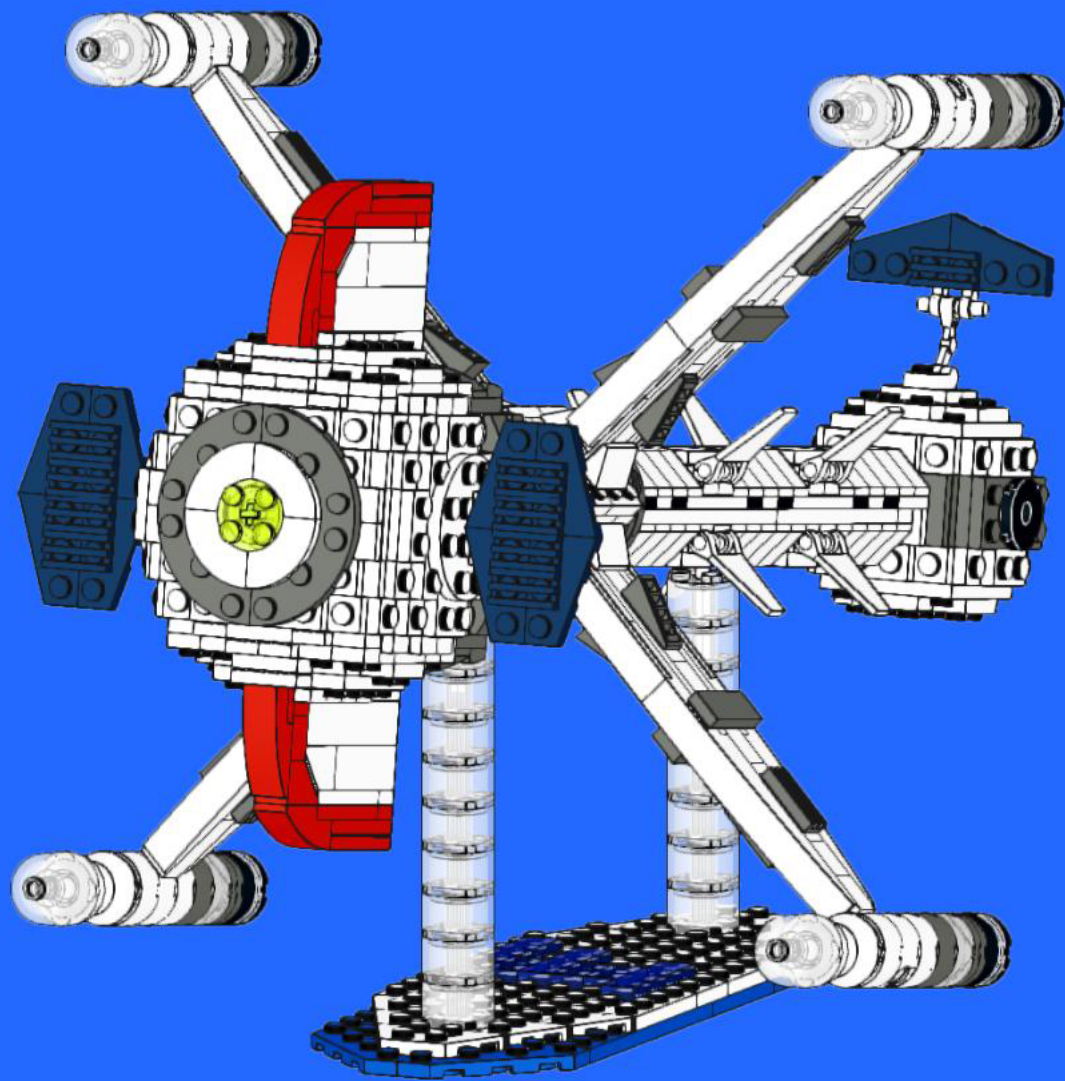
131



Copyright 2020 by Marc Philippi



Copyright 2020 by Marc Philippi



Copyright 2020 by Marc Philippi

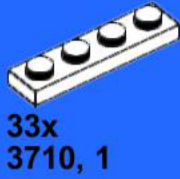




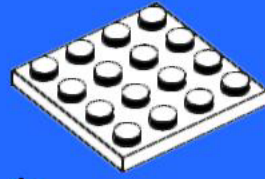
4x
98100, 1



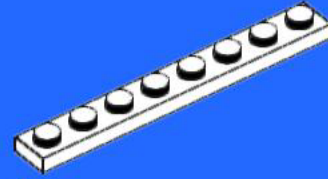
4x
24947, 1



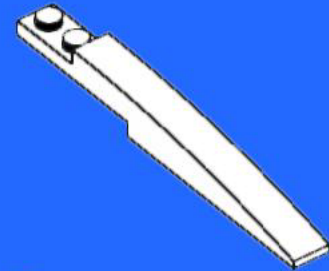
33x
3710, 1



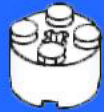
4x
3031, 1



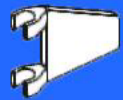
1x
3460, 1



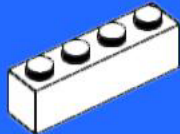
8x
85970, 1



12x
3941, 1



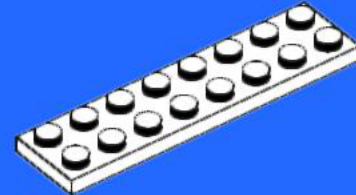
8x
44676, 1



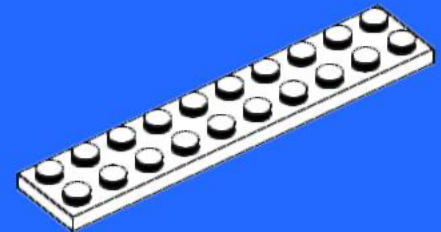
2x
3010, 1



2x
60474, 1



3x
3034, 1



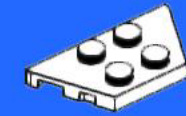
2x
3832, 1



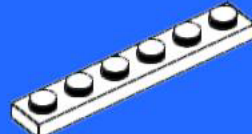
4x
17485, 1



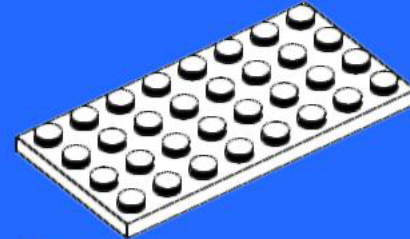
17x
2341, 1



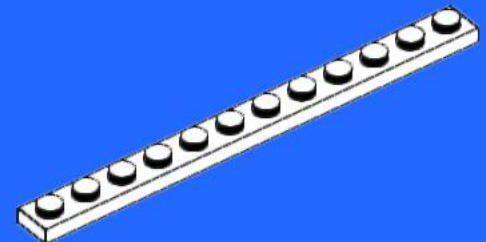
2x
51739, 1



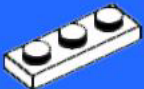
23x
3666, 1



2x
3035, 1



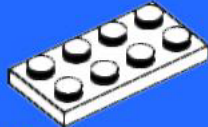
2x
60479, 1



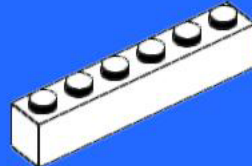
3x
3623, 1



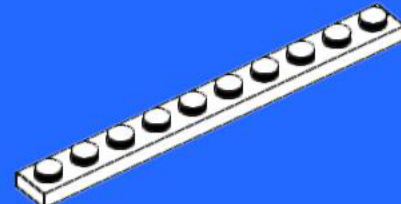
4x
3021, 1



5x
3020, 1



2x
3009, 1



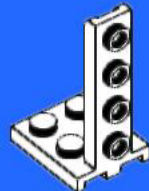
3x
4477, 1



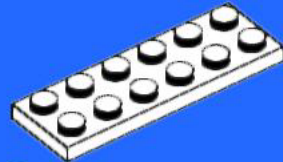
8x
34103, 1



2x
30374, 1



1x
2422, 1



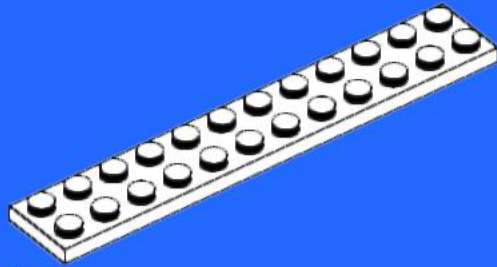
3x
3795, 1



2x
44728, 1



8x
2431, 1



1x
2445, 1



6x
3024, 5



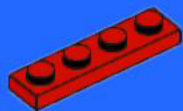
2x
87087, 5



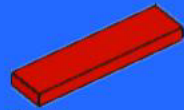
2x
3665, 5



4x
50950, 5



4x
3710, 5



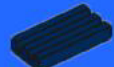
2x
2431, 5



20x
26604, 2



2x
4519, 3



9x
2412b, 63



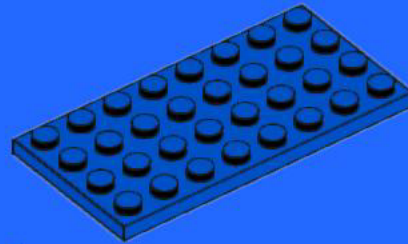
5x
43722, 63



5x
43723, 63



4x
30503, 7



4x
3035, 7



22x
3941, 12



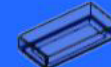
4x
30151b, 12



1x
3941, 16



4x
3062b, 15



4x
3069b, 14



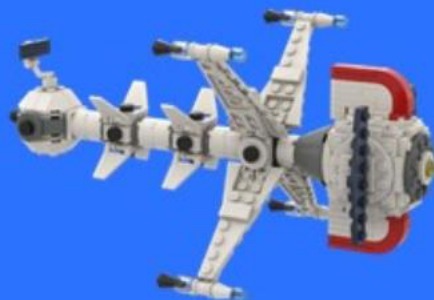
3x
2431, 14

L116



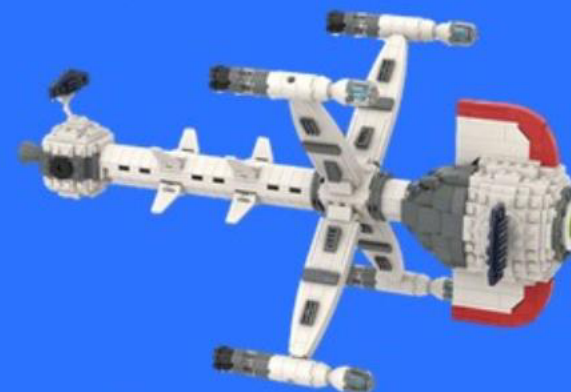
Parts 87
Length 11.6 cm

L250



Parts 261
Length 25.0 cm

L402



Parts 796
Length 40.2 cm

L756

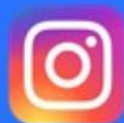


Parts 2.200
Length 75.6 cm

Marc Philippi



futuremocs@web.de



[@prinztoran](https://www.instagram.com/prinztoran)



ideas.lego.com/profile/aiori/

